

PRODUCT SPECIFICATIONS



Publication Date:
August, 2018

Description:
Ford Falcon SmartBar

Application:
Ford Falcon AU & AU2 (1998-10/02) models, refer last page for fitment information

Fitting:
Minimum 3 Hours

Available:
Made to order



Product Specification

The Aussie icon, the Ford Falcon, is the culmination of decades of Australian manufacturing engineering.

Specifically designed for the Ford Falcon AU & AU2 (1998-10/02) as a full bumper replacement, SmartBar's Vehicle Frontal Protection System (VFPS) complements the design and shape of the vehicle, maintains most of the factory accessories and all the while provides unparalleled safety.

Designed to suit the Falcon and Fairmont model variants in all body types (excluding XR6 & XR8), the SmartBar is engineered to be the lightest and safest VFPS available; offering even more protection and safety for vehicle owners and importantly, pedestrians.

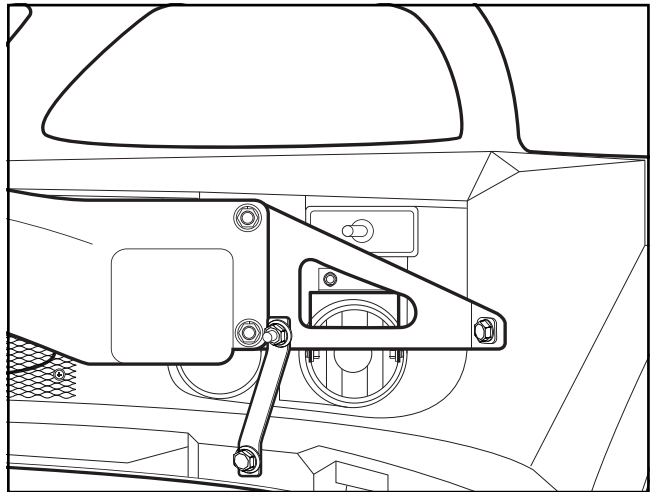
Please note that the red colour is no longer available, black is available as standard with other colour options only for large quantity orders.

Protection & Styling Characteristics:

- Meets full Australian Standard AS 4876.1-2002. Including 3.2 Road User Protection
- Weight savings provide improved fuel economy and reduced tyre, suspension and brake wear when compared to other alternatives
- Air Bag Compatible
- Bumper replacement, easily fitted
- Superior frontal protection, due to the impact absorbing hollow construction
- Supplied with durable, clear lens Indicator Lights
- Does not accept original vehicle fog lamps
- Supplied with 100mm Driving Light Kit
- UV stabilised polymer for durability and corrosion resistance
- Styled to maintain the Vehicle's aesthetic
- Proudly designed and manufactured in Australia
- Minimal maintenance
- Minimal repair costs after impact
- Manufactured from environmentally friendly, recyclable polyethylene polymer
- Available in Black as standard, other colours available for large order quantities
- SmartBar is tested to ensure a HIC (Head Injury Criteria) figure below the Australian Standard rating of 1500, as to provide pedestrians with a higher probability of surviving a low speed impact

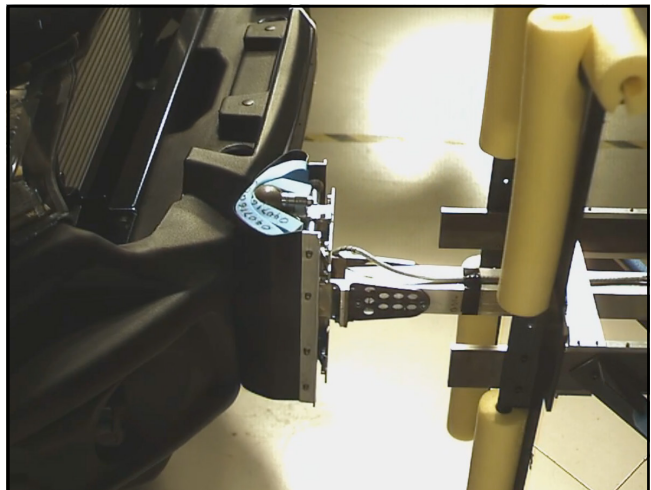
Chassis Mounts:

To achieve a solid and perfect fit every time, the bar directly mounts to the vehicle chassis.



Pedestrian Safety:

SmartBar's have been tested and proven to be less likely to cause serious injury to pedestrians than other alternatives. This is due to the hollow construction which allows the bar to absorb most of the impact along with the unique and specifically designed co-polymer material.



Indicators/Driving Lights:

The SmartBar is supplied with a pair of high quality indicators as standard. Spare lenses are also available for purchase in the event of a replacement. Refer overleaf for spot light (supplied) information.

Indicator Kit Number:
TP44768

Replacement Lens:
BP1165 (Left) BP1166 (Right)



PART NUMBER MATRIX

SMARTBAR FORD FALCON AU & AU2 (1998-10/02)

		SmartBar	Supplied 100mm Driving Light
Fitting Time		3 Hours	15 Mins
Vehicle	Model (Guide Only)		
Ford Falcon AU & AU2 ¹	Falcon & Fair- mont models ²	SA011BL011	TP4878 ³

Please note:

¹ Ford Falcon AU & AU2 SmartBar is only available made to order
² The SmartBar is not compatible with any XR6 or XR8 model variants
³ Supplied Driving Light is supplied with brackets, but with no loom.