

# PRODUCT SPECIFICATIONS

**Publication Date:**

August, 2018

**Description:**

Ford Courier SmartBar

**Application:**

Ford Courier PE & PG (02/99+) models, refer last page for fitment information

**Fitting:**

Minimum 3 Hours

**Available:**

Made to Order



## Product Specification

Specifically designed for the Ford Courier PE & PG (02/99+) as a full bumper replacement, SmartBar's Vehicle Frontal Protection System (VFPS) perfectly complements the design and shape of the vehicle, maintains most of the factory accessories and all the while provides unparalleled safety.

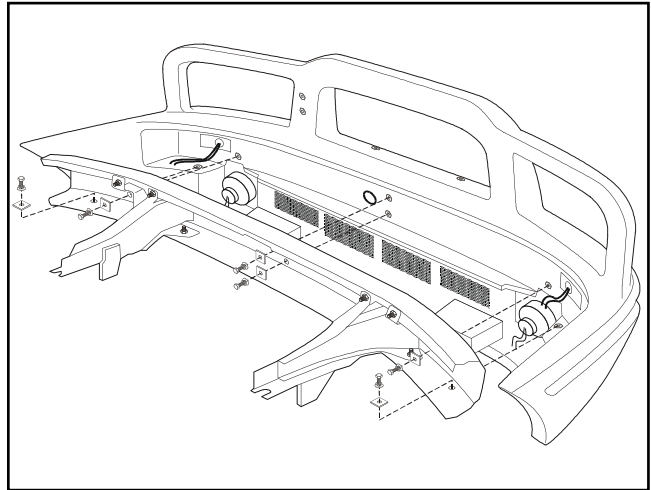
Designed to suit the 4x2 and 4x4 model variants in all body types (refer product fitment matrix overleaf for full details), the SmartBar is engineered to be the lightest and safest VFPS available; offering even more protection and safety for vehicle owners and importantly, pedestrians.

## Protection & Styling Characteristics:

- Meets full Australian Standard AS 4876.1-2002. Including 3.2 Road User Protection
- Weight savings provide improved fuel economy and reduced tyre, suspension and brake wear when compared to other alternatives
- Air Bag Compatible
- Bumper replacement, easily fitted
- Superior frontal protection, due to the impact absorbing hollow construction
- Supplied with durable, clear lens Indicator Lights
- Does not accept original vehicle fog lamps
- Supplied with 1 x Aerial Mount Bracket
- Supplied with 100mm Narva Driving Light Kit
- UV stabilised polymer for durability and corrosion resistance
- Styled to maintain the Vehicle's aesthetic
- Proudly designed and manufactured in Australia
- Minimal maintenance
- Minimal repair costs after impact
- Manufactured from environmentally friendly, recyclable polyethylene polymer
- Available in Black as standard, other colours available for large order quantities
- SmartBar is tested to ensure a HIC (Head Injury Criteria) figure below the Australian Standard rating of 1500, as to provide pedestrians with a higher probability of surviving a low speed impact

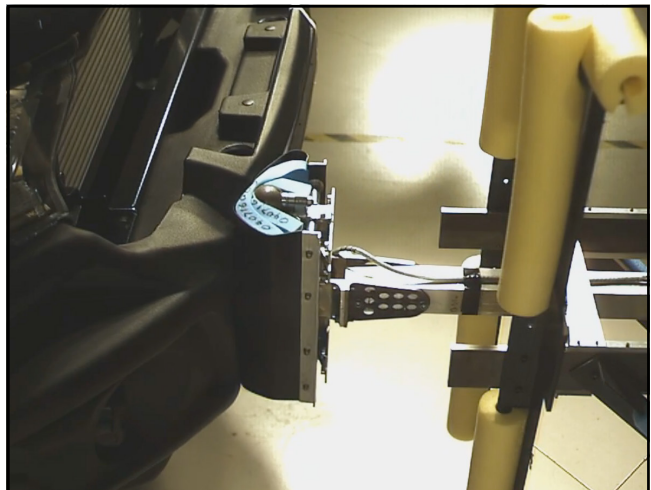
## Chassis Mounts:

To achieve a solid and perfect fit every time, the bar directly mounts to the vehicle chassis.



## Pedestrian Safety:

SmartBar's have been tested and proven to be less likely to cause serious injury to pedestrians than other alternatives. This is due to the hollow construction which allows the bar to absorb most of the impact along with the unique and specifically designed co-polymer material.



## Indicator & Driving Light:

The SmartBar is supplied with a pair of high quality indicators as standard. Spare lenses are also available for purchase in the event of a replacement. It is also supplied with a 100mm Narva Driving Light (TP4878).

Indicator Kit Number:  
TP44768

Replacement Lens:  
BP1165 (Left) BP1166 (Right)



# PART NUMBER MATRIX



## SMARTBAR FORD COURIER PE & PG (02/99+)

SmartBar Non Winch  
Supplied 100mm Driving Light

15 Mins

3 Hours

Fitting Time

Vehicle

Model  
(Guide Only)

Ford Courier PE & PG <sup>1</sup>

4x2, 4x4 including  
Turbo models <sup>2</sup>

SA061BL081

TP4878 <sup>3</sup>

Please note:

- <sup>1</sup> The SmartBar for the vehicle is only available as made to order
- <sup>2</sup> Note that 4WD bars need to be ordered with 4WD specified as they are wider (4WD are flared models)
- <sup>3</sup> Lights are supplied complete with brackets, but no loom