

PRODUCT SPECIFICATIONS



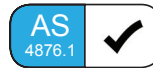
Publication Date:
August, 2018

Description:
Holden Rodeo SmartBar

Application:
Holden Rodeo (1988-12/02)
models, refer last page for fit-
ment information

Fitting:
Minimum 3 Hours

Available:
Made to Order



Product Specification

Specifically designed for the Holden Rodeo (1988-12/02) as a full bumper replacement, SmartBar's Vehicle Frontal Protection System (VFPS) perfectly complements the design and shape of the vehicle, maintains most of the factory accessories and all the while provides unparalleled safety.

Designed to suit the 4x2 and 4x4 model variants in all body types, the SmartBar is engineered to be the lightest and safest VFPS available; offering even more protection and safety for vehicle owners and importantly, pedestrians.

Please note that the silver colour is no longer available, black is available as standard with other colour options only for large quantity orders.

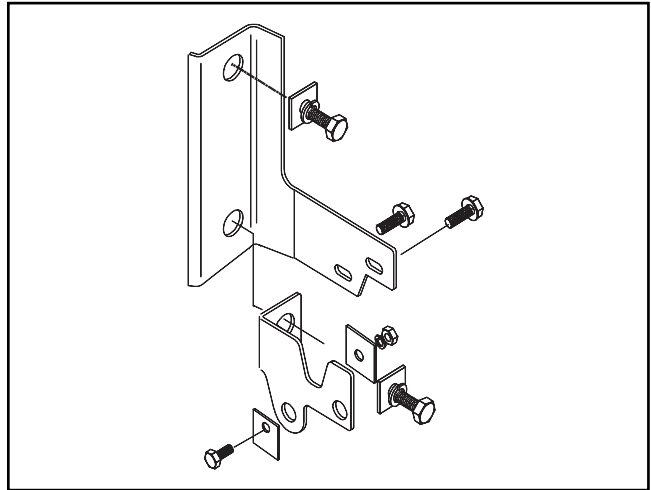
Protection & Styling Characteristics:

- Meets full Australian Standard AS 4876.1-2002. Including 3.2 Road User Protection
- Weight savings provide improved fuel economy and reduced tyre, suspension and brake wear when compared to other alternatives
- Air Bag Compatible
- Bumper replacement, easily fitted
- Superior frontal protection, due to the impact absorbing hollow construction
- Supplied with durable Indicator/Parker Lights
- Does not accept original vehicle fog lamps (where applicable)
- Supplied with 1 x Aerial Mount Bracket
- Supplied with 2 x Spot Light Mount Brackets
- UV stabilised polymer for durability and corrosion resistance
- Styled to maintain the Vehicle's aesthetic
- Proudly designed and manufactured in Australia
- Minimal maintenance
- Minimal repair costs after impact
- Manufactured from environmentally friendly, recyclable polyethylene polymer
- Available in Black as standard, other colours available for large order quantities
- SmartBar is tested to ensure a HIC (Head Injury Criteria) figure below the Australian Standard rating of 1500, as to provide pedestrians with a higher probability of surviving a low speed impact

Chassis Mounts:

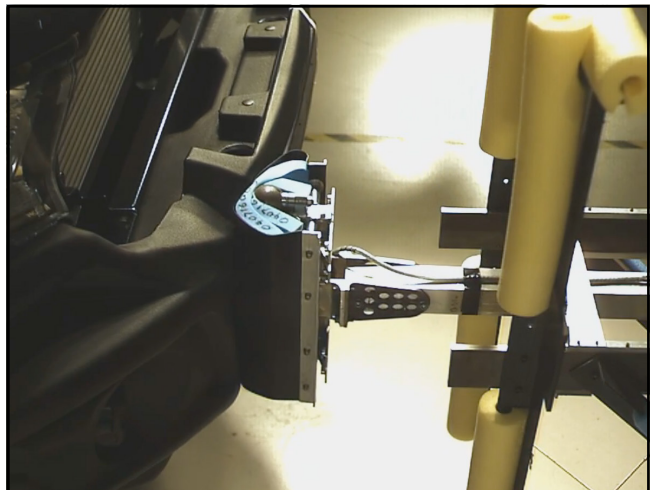
The chassis mount design allows for two axis adjustability, to achieve a solid and perfect fit every time.

All brackets have been tested and comply with Vehicle Air Bag and Australian Safety Standards.



Pedestrian Safety:

SmartBar's have been tested and proven to be less likely to cause serious injury to pedestrians than other alternatives. This is due to the hollow construction which allows the bar to absorb most of the impact along with the unique and specifically designed co-polymer material.

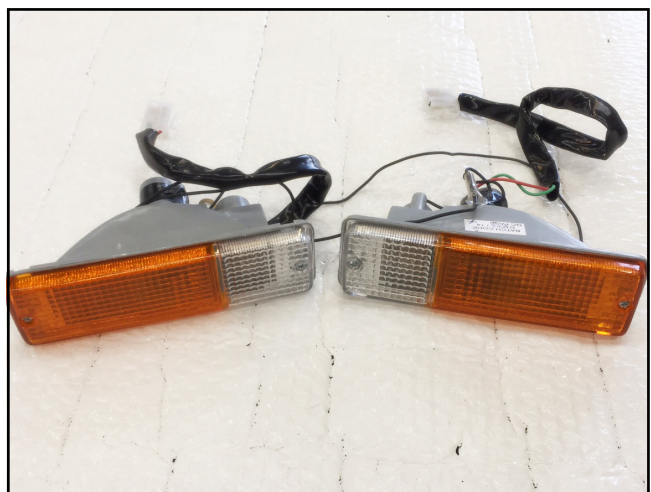


Indicators:

The SmartBar is supplied with a pair of high quality indicators/parkers as standard. Spare lenses are also available for purchase in the event of a replacement.

Indicator/Parker Part Number:
BP1173

Replacement Lens:
BP1174



PART NUMBER MATRIX



SMARTBAR HOLDEN RODEO (1988-12/02)

SmartBar
Non Winch

Fitting Time

3 Hours

Vehicle

Model
(Guide Only)

Holden Rodeo ¹

4x2 & 4x4

SA063BL029

Please note:

¹ Bar is only available made to order