

PRODUCT SPECIFICATIONS

**Date:**

August, 2018

Description:

Ford Falcon BA & BF1 SmartBar

Application:

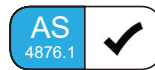
BA (10/02-2005)
BF1 (2005-09/06)

Fitting:

Minimum 3 Hours

Available From:

Now



Product Specification

The Aussie icon, the Ford Falcon BA & BF1, is the culmination of decades of Australian manufacturing engineering.

Specifically designed for the iconic Ford Falcon BA (10/02-2005) & BF1 (2005-09/06) as a full bumper replacement, SmartBar's Vehicle Frontal Protection System (VFPS) perfectly complements the design and shape of the vehicle, maintains most of the factory accessories and all the while provides unparalleled safety.

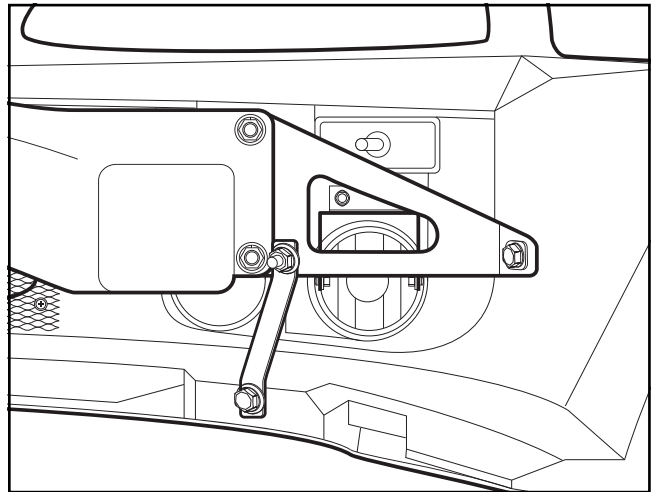
Designed to suit the XT, Futura, Fairmont, Fairlane, RTV (pictured), XR6 (excluding Turbo) and XR8 model variants in all body types, the SmartBar is engineered to be the lightest and safest VFPS available; offering even more protection and safety for vehicle owners and importantly, pedestrians.

Protection & Styling Characteristics:

- Meets full Australian Standard AS 4876.1-2002. Including 3.2 Road User Protection
- Weight savings provide improved fuel economy and reduced tyre, suspension and brake wear when compared to other alternatives
- Fitted Weight of **26kg**
- Easily fitted, Full Bumper replacement
- Air Bag Compatible
- Superior frontal protection, due to the impact absorbing hollow construction
- Does not accept original vehicle fog lights
- Supplied with 100mm driving lights
- Supplied with clear lens turn indicators
- Uni Bar mounting location in number plate area
- UV stabilised polymer for durability and corrosion resistance
- Proudly designed and manufactured in Australia
- Durable LED Parker/Indicator Lights
- Styled to maintain the Vehicle's aesthetics
- Minimal maintenance
- Minimal repair costs after impact
- Manufactured from environmentally friendly, recyclable polyethylene polymer
- Available in Black as standard, other colours available for large order quantities
- SmartBar is tested to ensure a HIC (Head Injury Criteria) figure below the Australian Standard rating of 1500, as to provide pedestrians with a higher probability of surviving a low speed impact

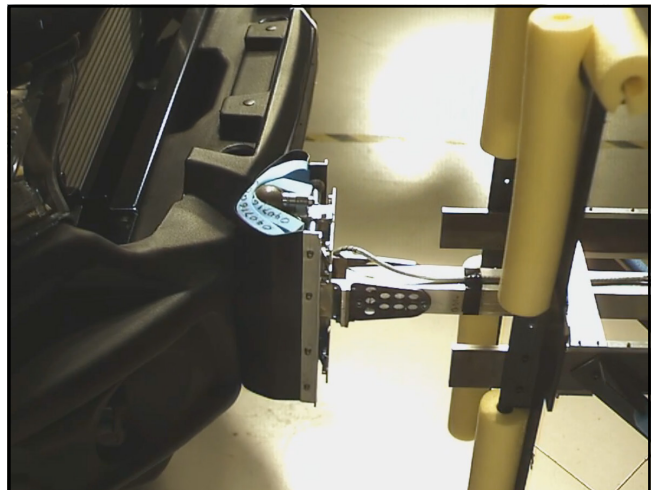
Chassis Mounts:

To achieve a solid and perfect fit every time, the bar directly mounts to the vehicle chassis.



Pedestrian Safety:

SmartBar's have been tested and proven to be less likely to cause serious injury to pedestrians than other alternatives. This is due to the hollow construction which allows the bar to absorb most of the impact along with the unique and specifically designed co-polymer material.



100mm Driving Light Kit:

100mm Narva Driving Light is supplied with the SmartBar. Shown here underneath the indicator on the outside of the optional 70mm driving light.

Please note that the lights are supplied with brackets but with no loom.

(RTV variant shown).



Bumper Trim:

The bar is easily fitted as a partial bumper replacement and as such, requires a bumper trim during installation.

Instructions and Trim Templates are supplied with the bar to assist with fitment.

(RTV variant shown).



Clear Lens Indicators:

The SmartBar is supplied with a pair of high quality indicators as standard. Spare lenses are also available for purchase in the event of a replacement.

Indicator Kit Number:
TP44768

Replacement Lens:
BP1165 (Left) BP1166 (Right)





PART NUMBER MATRIX

SMARTBAR FORD FALCON BA (10/02-2005) & BF1 (2005-09/06)

		SmartBar	Optional 100mm Driving Light Kit	Optional 100mm Fog Light Kit
Fitting Time		3 Hours	30 Mins	15 Mins
	Model (Guide Only)			
Ford Falcon BA (10/02-2005)	XT, Futura, Fairmont, Fairlane, RTV ¹ , XR6 ² & XR8 ³	SA083BL083	TP4878	TP24920
Ford Falcon BF1 (2005-09/06)	XT, Futura, Fairmont, Fairlane, RTV ¹ , XR6 ² & XR8 ³	SA083BL083	TP4878	TP24920

Please note:

¹ If SmartBar is to be fitted to an RTV model variant, please advise at the time of order. Must be ordered as RTV.

² SmartBar is not compatible with XR6 Turbo models, only the basic XR6

³ If SmartBar is to be fitted to an XR8, a new grille is required to be purchased and used in the installation as the XR8 grille is not compatible. This replacement grille from is the BA XT Falcon.

⁴ **IMPORTANT:** This is the bar (SA083BL083) that is required for the BF2 & BF3 XR6 and XR8 models; notes 2 and 3 still apply in this instance.