

# PRODUCT SPECIFICATIONS



**Publication Date:**

August, 2018

**Description:**

Nissan Patrol GU SmartBar

**Application:**

Nissan Patrol GU series 4, 6, 7, 8 Models

**Fitting:**

Minimum 3 Hours

**Available:**

Now



## Product Specification

Specifically designed for the Nissan Patrol GU as a full bumper replacement, SmartBar's Vehicle Frontal Protection System (VFPS) perfectly complements the design and shape of the vehicle, maintains most of the factory accessories and all the while provides unparalleled safety.

Designed to suit the GU 4, 6, 7, and 8 (08/2004+) 3.0L Turbo Diesel and 4.8L Petrol model variants (refer to matrix overleaf for details), the SmartBar is engineered to be the lightest and safest VFPS available; offering even more protection and safety for vehicle owners and importantly, pedestrians.

Please note that the white colour is no longer available, black is available as standard with other colour options only for large quantity orders.

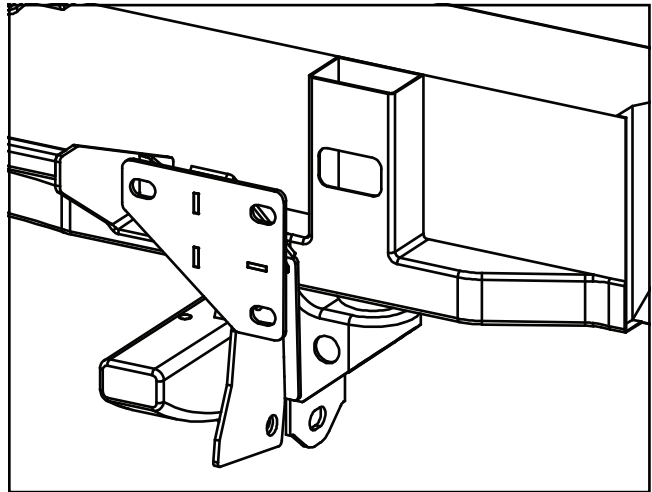
## Protection & Styling Characteristics:

- Meets full Australian Standard AS 4876.1-2002. Including 3.2 Road User Protection
- Weight savings provide improved fuel economy and reduced tyre, suspension and brake wear when compared to other alternatives
- Fitted Weight of **35kg (Non Winch)**
- Fitted Weight of **46kg (Winch Compatible)**
- Air Bag Compatible
- Bumper replacement, easily fitted
- Superior frontal protection, due to the impact absorbing hollow construction
- Supplied with durable, clear lens Indicator Lights
- Supplied with 2 x Antenna mounts
- Antenna mount location on loops of the bar
- Does not accept original vehicle fog lamps (where applicable)
- Accommodates a large range of spotlights
- UV stabilised polymer for durability and corrosion resistance
- Styled to maintain the Vehicle's aesthetic
- Proudly designed and manufactured in Australia
- Minimal maintenance
- Minimal repair costs after impact
- Winch compatible bracket kit accommodates up to 9,000lb Winch
- Manufactured from environmentally friendly, recyclable polyethylene polymer
- Available in Black as standard, other colours available for large order quantities
- SmartBar is tested to ensure a HIC (Head Injury Criteria) figure below the Australian Standard rating of 1500, as to provide pedestrians with a higher probability of surviving a low speed impact

## Chassis Mounts:

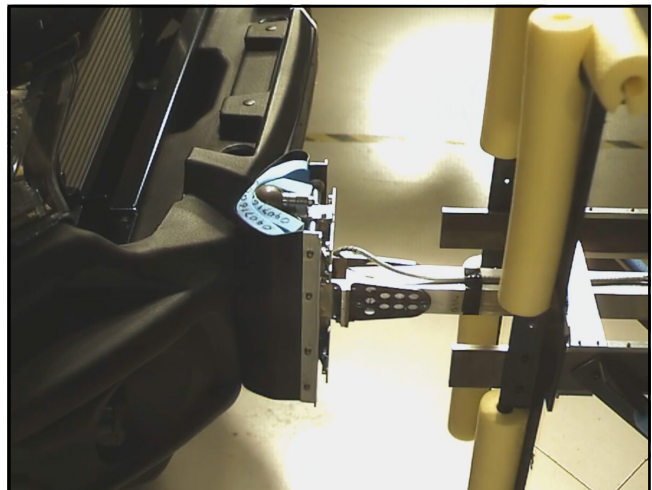
The chassis mount design comprises of a two part construction which allows for two axis adjustability, to achieve a solid and perfect fit every time.

All brackets have been tested and comply with Vehicle Air Bag, Winch Maximum Pull Exertion and Australian Safety Standards.



## Pedestrian Safety:

SmartBar's have been tested and proven to be less likely to cause serious injury to pedestrians than other alternatives. This is due to the hollow construction which allows the bar to absorb most of the impact along with the unique and specifically designed co-polymer material.



## Indicators:

The SmartBar is supplied with a pair of high quality indicators as standard. Spare lenses are also available for purchase in the event of a replacement.

Indicator Kit Number:  
TP44768

Replacement Lens:  
BP1165 (Left) BP1166 (Right)



## Winch Mount:

The SmartBar winch bracket kit is winch compatible for winches up to 9,000. See overleaf for full winch details.



## Bumper Replacement:

The bar is easily fitted as a complete bumper replacement.

Full fitting instructions are supplied to assist with installation.



## Spot Light & Antenna Mount:

The SmartBar is supplied with an accessory bracket to mount driving lights, light bars and other accessories.

There are also antenna mounts incorporated on the top loops of the bull bar. The SmartBar is supplied with two antenna mounts (TP44805 - AMB9 Aerial Mount Kit).

Additional antenna mounts can be purchased.



## Winch Model Fitment:

The SmartBar winch compatible bracket kit accommodates the following winches:

- Warn M8000, XD9000

The SmartBar is supplied with an accessory bracket that mounts to the bar in front of the grille. With some winches the winch control box can be mounted on the accessory bracket between the spotlights\*.

\*Fitment of the control box to the accessory bracket will restrict the size of the lights that can be mounted. Light bars will not fit on accessory bracket at all in this instance.





# PART NUMBER MATRIX

## SMARTBAR NISSAN PATROL GU (08/04+)

		SmartBar	SmartBar Winch
<b>Fitting Time</b>		3 Hours	3.5 Hours
<b>Vehicle</b>	<b>Model (Guide Only)</b>		
Nissan Patrol GU	Series 4, 6, 7, 8	SA088BL088 <sup>1</sup>	SA088BL088WK <sup>2</sup>

Please note:

<sup>1</sup> Please note that compatible model for series 4, 6, 7 & 8 are the 3.0L Turbo Diesel Wagon and Ute's, and 4.8L Petrol models

<sup>2</sup> Please note that the Winch compatible SmartBar isn't compatible with all Cab-Chassis Utes, only the 08/07+ models. It is compatible with the rest of the 3.0L Turbo Diesel Wagon and Ute's, and 4.8L Petrol range

<sup>3</sup> Please note that bar is available in Black only, colour options available subject to volume.