

PRODUCT SPECIFICATIONS

**Publication Date:**

August, 2018

Description:

Ford Falcon BF2 & BF3 SmartBar

Application:

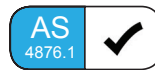
Ford Falcon BF2 & BF3 (10/06-08/10) Models (excluding XR6 & XR8, refer last page for fitment information)

Fitting:

Minimum 3 Hours

Available:

Now



Product Specification

The Aussie icon, the Ford Falcon BF2 & BF3 (Wagon body), is the culmination of decades of Australian manufacturing engineering.

Specifically designed for the 10/06-08/10 Ford Falcon BF2 & BF3 as a full bumper replacement, SmartBar's Vehicle Frontal Protection System (VFPS) perfectly complements the design and shape of the vehicle, maintains all of the factory accessories and all the while provides unparalleled safety.

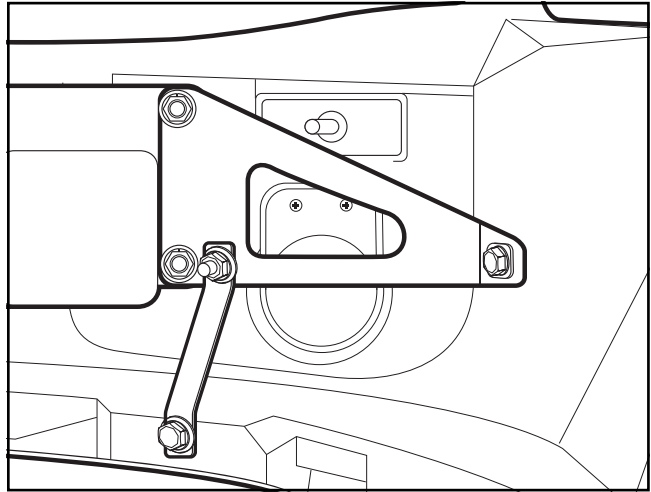
Designed to suit the XT, Futura, Fairmont, Fairlane and RTV model variants in all body types (note, XR6 & XR8 models require SA083 SmartBar and that the BF3 series was only released in Wagon body type), the SmartBar is engineered to be the lightest and safest VFPS available; offering even more protection and safety for vehicle owners and importantly, pedestrians.

Protection & Styling Characteristics:

- Meets full Australian Standard AS 4876.1-2002. Including 3.2 Road User Protection
- Weight savings provide improved fuel economy and reduced tyre, suspension and brake wear when compared to other alternatives
- Fitted Weight of **26kg**
- Air Bag Compatible
- Bumper replacement, easily fitted
- Superior frontal protection, due to the impact absorbing hollow construction
- Supplied with durable, clear lens Indicator Lights
- Does not accept original vehicle fog lamps
- Optional 90mm Fog Light Kit Available
- Uni Bar mounting location in the number plate area
- UV stabilised polymer for durability and corrosion resistance
- Styled to maintain the Vehicle's aesthetic
- Proudly designed and manufactured in Australia
- Minimal maintenance
- Minimal repair costs after impact
- Manufactured from environmentally friendly, recyclable polyethylene polymer
- Available in Black as standard, other colours available for large order quantities
- SmartBar is tested to ensure a HIC (Head Injury Criteria) figure below the Australian Standard rating of 1500, as to provide pedestrians with a higher probability of surviving a low speed impact

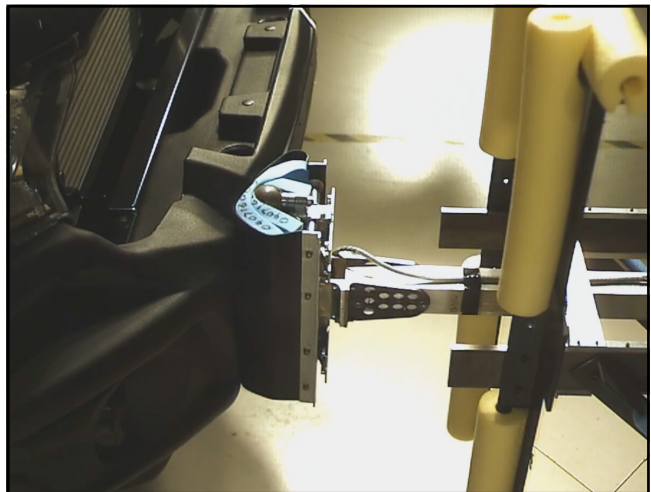
Chassis Mounts:

To achieve a solid and perfect fit every time, the bar directly mounts to the vehicle chassis.



Pedestrian Safety:

SmartBar's have been tested and proven to be less likely to cause serious injury to pedestrians than other alternatives. This is due to the hollow construction which allows the bar to absorb most of the impact along with the unique and specifically designed co-polymer material.



Indicators:

The SmartBar is supplied with a pair of high quality indicators as standard. Spare lenses are also available for purchase in the event of a replacement.

Indicator Kit Number:
TP44768

Replacement Lens:
TP44768



Uni Bar Mount Location:

In the number plate area there are Uni Bar Mount Location points, allowing for the fitment of spot light/light accessories.

Please note that the white colour is no longer available, black is available as standard with other colour options only for large quantity orders.



Bumper Replacement:

The bar is easily fitted as a complete bumper replacement.



OEM Fog Lights:

The SmartBar is not compatible with the OEM fog lights.

There is an optional fog light available for purchase, refer overleaf for details regarding the light part numbers.

Please note that the silver colour is no longer available, black is available as standard with other colour options only for large quantity orders.



PART NUMBER MATRIX

SMARTBAR FORD FALCON BF2 & BF3 (10/06-08/10)

		SmartBar	Optional 90mm Fog Light
Fitting Time		3 Hours	15 Mins
Vehicle	Model (Guide Only)		
Ford Falcon BF2 ¹	XT, Futura, Fairmont, Fairlane and RTV (Sedans, Wagons and Utes) ¹	SA099BL099	TP23923 ³
Ford Falcon BF3 (Wagon)	XT	SA099BL099	TP23923 ³

Please note:

¹ XR6 & XR8 variants require SA083 BA & BF1 SmartBar, please consult SA083 Specification Sheet for further information

² Bar can only accommodate one option