

# PRODUCT SPECIFICATIONS

**Publication Date:**

August, 2018

**Description:**

Nissan Pathfinder R51 SmartBar

**Application:**

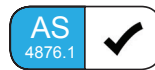
Nissan Pathfinder R51  
(04/05-02/10) Models

**Fitting:**

Refer Matrix for Accessory Fitup  
Information and Timing

**Available:**

Now



## Product Specification

Specifically designed for the Nissan Pathfinder R51 a partial bumper replacement, SmartBar's Vehicle Frontal Protection System (VFPS) complements the design and shape of the vehicle, maintains all of the factory accessories and all the while provides unparalleled safety.

Designed to suit the ST, ST-L and Ti variants, the SmartBar is engineered to be the lightest and safest VFPS available; offering even more protection and safety for vehicle owners and importantly, pedestrians.

**IMPORTANT:** Please note that the white colour displayed above is no longer available unless placing a large quantity order.

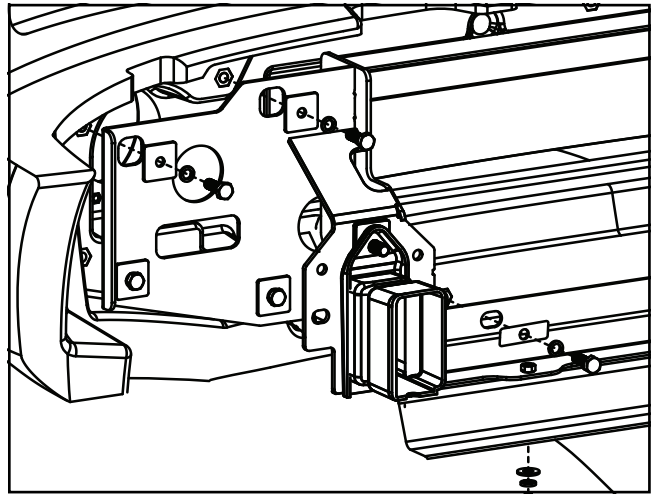
## Protection & Styling Characteristics:

- Meets full Australian Standard AS 4876.1-2002. Including 3.2 Road User Protection
- Weight savings provide improved fuel economy and reduced tyre, suspension and brake wear when compared to other alternatives
- Fitted Weight of **28kg for Non Winch**
- Air Bag Compatible
- Bumper trim, easily fitted
- Superior frontal protection, due to the impact absorbing hollow construction
- Optional 100mm driving light kit available
- Optional 100mm fog light kit available
- Supplied with Durable LED Parker/Indicator Lights
- Supplied with 2 x Antenna Mounts
- Antenna mount location on loops of the bar, up to 4 available
- UV stabilised polymer for durability and corrosion resistance
- Styled to maintain the Vehicle's aesthetic
- Proudly designed and manufactured in Australia
- Minimal maintenance
- Minimal repair costs after impact
- Manufactured from environmentally friendly, recyclable polyethylene polymer
- Available in Black as standard, other colours available for large order quantities
- Accommodates a large range of spotlights
- SmartBar is tested to ensure a HIC (Head Injury Criteria) figure below the Australian Standard rating of 1500, as to provide pedestrians with a higher probability of surviving a low speed impact

## Chassis Mounts:

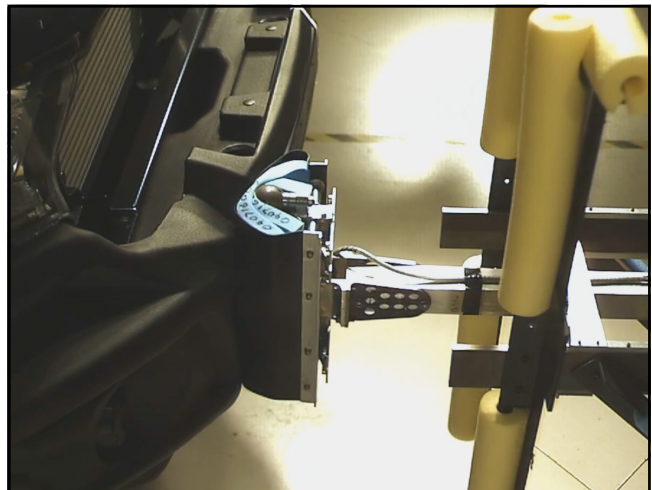
The chassis mount design comprises of a one part construction which allows for two axis adjustability, to achieve a solid and perfect fit every time.

All brackets have been tested and comply with Vehicle Air Bag and Australian Safety Standards.



## Pedestrian Safety:

SmartBar's have been tested and proven to be less likely to cause serious injury to pedestrians than other alternatives. This is due to the hollow construction which allows the bar to absorb most of the impact along with the unique and specifically designed co-polymer material.



## Indicator/Parker:

A pair of indicator/parker lights are supplied with the bar.

Part Number: BP50035 (Left) / BP50042 (Right)

Please note that there has been a part supply change with this part since the bar was released, older bars may have the previous version of the light which is (BP38538) please contact to discuss difference when looking to replace.



## Bumper Trim:

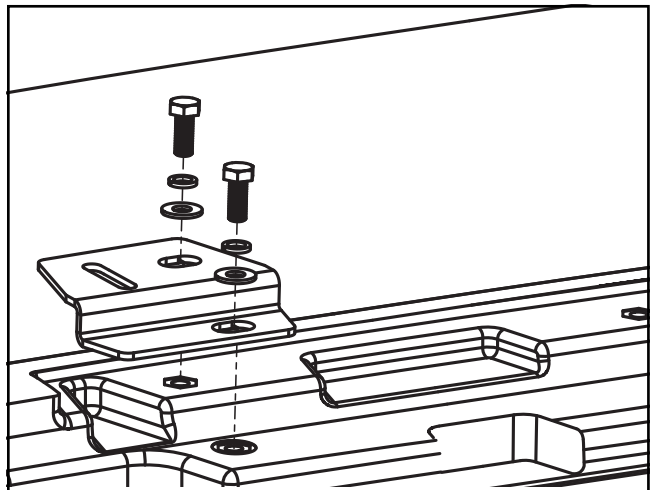
The bar is easily fitted as a partial bumper replacement and as such, requires a bumper trim during installation. Instructions are supplied with the Bar to assist with fitment.



## Driving Light Mounts:

The SmartBar is supplied with an accessory bracket to mount driving lights, light bars and other accessories.

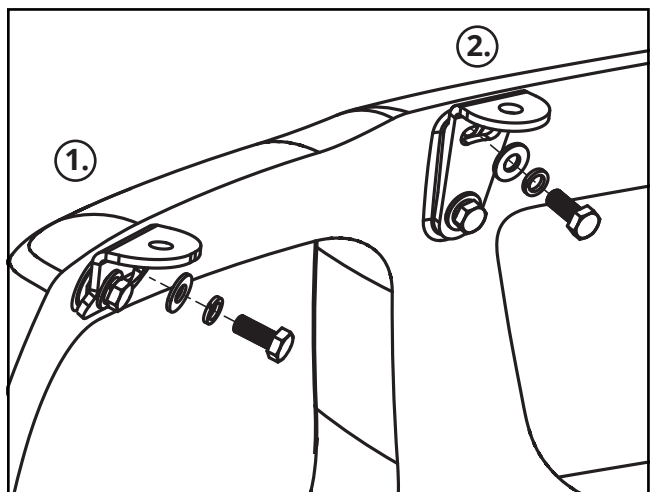
To see further details on light fitment see overleaf.



## Antenna Mount Bracket:

There are antenna mount locations incorporated on the top loops of the bull bar. Two antenna mounts are supplied. Additional antenna mounts can also be purchased:

- 1. TP50523**  
(AMB10 horizontal aerial mount kit)
- 2. TP50530**  
(AMB12 vertical aerial mount kit)



## Light Model Fitment:

The SmartBar for the Isuzu D-Max/MU-X models accommodates the following Lights:

ARB Intensity:

- ARB Intensity 21

Bushranger Night Hawk lights:

- NHP180 (S&D) (180mm Round LED light)
- NHS205 (20.5 inch light bars)

IPF Lights:

- 901 Xtreme Sport Series
- 900 HID Series
- 900 Series
- 90 Xtreme LED Sport Series
- 968 Series
- 930 Super Rally



# PART NUMBER MATRIX



## SMARTBAR NISSAN PATHFINDER R51 (04/05-02/10)

Fitting Time	2.5 Hours	3 Hours
Vehicle	SmartBar Non Winch	Filler Strip Kit
Model (Guide Only)	SA103BL103	Optional 100mm Driving Light <sup>1</sup>
Nissan Pathfinder R51	ST, ST-L and Ti	Optional 100mm Fog Light <sup>1</sup>
	TP38507	TP4878
		TP23923

Please note:

<sup>1</sup> Bar can only accommodate one option