

# PRODUCT SPECIFICATIONS



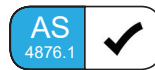
**Publication Date:**  
August, 2018

**Description:**  
Mazda BT50 SmartBar

**Application:**  
Mazda BT50 (10/11+)

**Fitting:**  
Minimum 3 Hours  
(Non Winch)  
Minimum 4 Hours  
(Winch)

**Available:**  
Now



## Product Specification

Designed to tackle tough terrain and unexpected obstacles, the Mazda BT50 will take you nearly anywhere you want to go; and wherever this may be, the team at SmartBar want you and your vehicle to be protected.

Specifically designed for the 2011+ Mazda BT50 as a partial bumper replacement, the latest model of SmartBar's Vehicle Frontal Protection System (VFPS) perfectly complements the design and shape of the vehicle. The SmartBar maintains most of the factory accessories and all the while provides unparalleled safety.

Designed to suit the XT, XTR, GT variants, the SmartBar is engineered to be the lightest and safest VFPS available, offering even more protection and safety for BT50 owners and pedestrians.

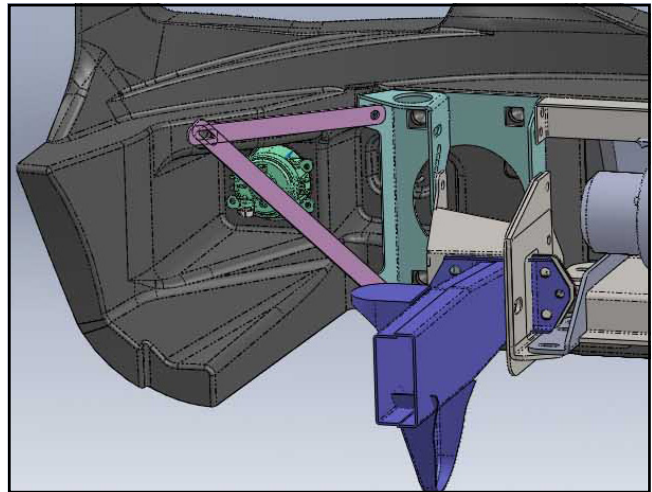
## Protection & Styling Characteristics:

- Meets full Australian Standard AS 4876.1-2002. Including 3.2 Road User Protection
- Weight savings provide improved fuel economy and reduced tyre, suspension and brake wear when compared to other alternatives
- The five star ANCAP safety rating for the BT50 is maintained when a SmartBar is fitted. (ANCAP however have not provided any information on the effects of the SmartBar on pedestrian safety)
- Fitted Weight of **35.5kg for Non Winch**
- Fitted Weight of **40kg for Winch**
- Bar adds an approximate additional 180mm to vehicle length
- Air Bag Compatible
- Bumper trim, easily fitted
- Superior frontal protection, due to the impact absorbing hollow construction
- Accepts the original vehicle fog lights
- Supplied with durable LED Parker/Indicator Lights
- Supplied with 2 x Antenna Mount
- Antenna mount location on loops of the bar, up to 4 available
- UV stabilised polymer for durability and corrosion resistance
- Styled to maintain the Vehicle's aesthetics
- Proudly designed and manufactured in Australia
- Minimal maintenance
- Minimal repair costs after impact
- Manufactured from environmentally friendly, recyclable polyethylene polymer
- Available in Black as standard, other colours available for large order quantities
- Accommodates a large range of spotlights
- Accommodates up to 9,500lb Winch (please refer overleaf for winch compatibility)
- SmartBar is tested to ensure a HIC (Head Injury Criteria) figure below the Australian Standard rating of 1500, as to provide pedestrians with a higher probability of surviving a low speed impact

## Chassis Mounts:

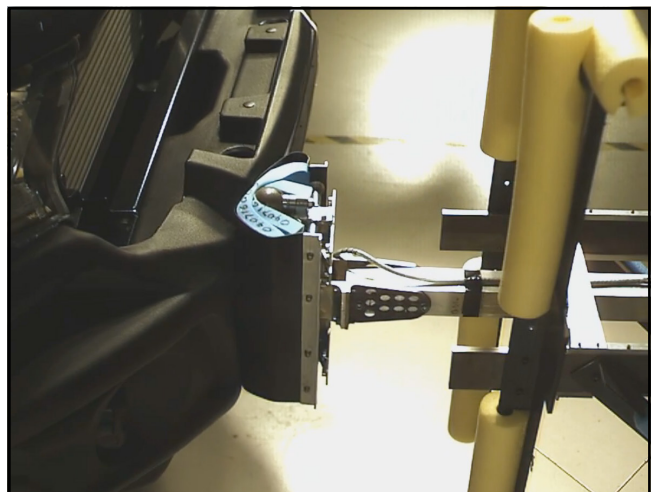
The chassis mount design comprises of a two part construction which allows for three axis adjustability, to achieve a solid and perfect fit every time.

All brackets have been tested and comply with Vehicle Air Bag, Winch Maximum Pull Exertion and Australian Safety Standards.



## Pedestrian Safety:

SmartBar's have been tested and proven to be less likely to cause serious injury to pedestrians than other alternatives. This is due to the hollow construction which allows the bar to absorb most of the impact along with the unique and specifically designed co-polymer material.



## LED Parker/Indicators & Fog Lights:

The SmartBar is supplied with high quality LED Parker Indicator lights as shown here in the orange.

Please note the bar is also compatible with the OEM Fog Lights, but they are not supplied with the bar.



## Antenna Mounts:

There are antenna mounts incorporated onto the top loops of the bull bar. The SmartBar is supplied with two antenna mount, one vertically aligned and the other horizontally. Additional antenna mounts can be purchased:

Horizontal Mount: TP44799

Vertical Mount: SAAMB12



## Driving Light Mounts:

The SmartBar is supplied with an accessory bracket to mount driving lights, light bars and other accessories.



## Winch Mount:

The SmartBar winch bracket kit is winch compatible for winches up to 9,500lb. See overleaf for full winch details.

Please note that with some winches the control box can be mounted next to the fairlead.



## Plug and Play Harness:

An optional plug and play wiring harness is available for purchase, making the bar light installation much simpler and saving on the overall time required to fit the bar to the vehicle.

Kit Number: SA149-H (Pair)



## Bumper Trim:

The bar is easily fitted as a partial bumper replacement and as such, requires a bumper trim during installation. Instructions and Trim Templates are supplied with the Bar to assist with fitment.



## Optional Fog/DRL:

Another light option available in lieu of the OEM fog lights for the bar is a 90mm Fog/Daytime Running Light Combination light.

This can be purchased for installation in the bar in the recess next to the indicators.

Part Number: BP80311



## Winch Model Fitment:

The SmartBar winch compatible bracket kit accommodates the following winches:

- Warn M8000, XD9000, XP9.5 and XDC 9.5.
- Warn Magnum 8<sup>1</sup>

The SmartBar is supplied with an accessory bracket that mounts to the bar in front of the grille. The winch control box can be mounted on the accessory bracket between the spotlights.

Additional fit kits are required depending on the winch being fitted:

- A flip up number plate bracket is recommended for standard size number plates when SmartBar's are fitted with a winch, ARB Part number 3500630.

<sup>1</sup>Please note that the Magnum control box must be located on the spot light mount.



## Light Model Fitment:

The SmartBar accommodates the following Lights:

### ARB Intensity:

- ARB Intensity 21
- ARB Intensity AR40

### Bushranger Night Hawk lights:

- NHP180 (S&D) (180mm Round LED light)
- NHS055 - NHS205 (5.5 inch to 20.5 inch light bars)

### IPF Lights:

- 801 Xtreme Sport Series
- 800 HID Series
- 800 Series
- 868 Series

NOTE: If a control box is fitted, this may restrict the lights that will fit in the SmartBar. No light bar will fit in the event that the control box is fitted to the spot light mount bracket.





# PART NUMBER MATRIX

## SMARTBAR MAZDA BT50 (10/2011+)

		SmartBar non winch	SmartBar winch	Optional Plug and Play Harness	Optional 90mm Combo Light
<b>Fitting Times</b>		<b>3 Hours</b>	<b>4 Hours</b>		<b>30 Mins</b>
Mazda BT50 <sup>1</sup>	Model (Guide Only)				
4x2 & 4x4	XT, XTR, GT	SA149BL149M	SA149BL150M	SA149-H	BP80311 <sup>2</sup>

Please note:

<sup>1</sup> SmartBar isn't compatible with any vehicle fitted with Parking Sensors

<sup>2</sup> SmartBar can only accomodate one light option; if the vehicle has Fog Lights on bumper and the intention is to re-fit them to the SmartBar, the combo light will not be able to be fitted