

# PRODUCT SPECIFICATIONS

**Publication Date:**

February, 2019

**Description:**

Ford Everest SmartBar

**Application:**

Ford Everest 2019+ Models  
Ambiente, Trend & Titanium

**Fitting:**

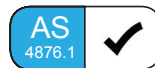
Minimum 3 Hours (Non Winch)  
Minimum 4 Hours (Winch)

**Available:**

Now



PROUDLY  
AUSTRALIAN MADE



## Product Specification

Ford has given its Ranger ute-derived Everest wagon a new facelift. The visual changes to the front end are subtle, with the most notable being a new grille design. With the new release additional features have been added, including automatic emergency braking, speed sign recognition and push button start for higher end models.

The SmartBar is designed for the Ford Everest as a partial bumper replacement, perfectly complementing the design and shape of the vehicle; accommodating most of the factory accessories and all the while providing unparalleled safety.

Designed to suit the Ambiente, Trend & Titanium models. The SmartBar is engineered to be the lightest and safest bumper replacement VFPS available; offering even more protection and safety for Ranger owners and pedestrians.

## Protection & Styling Characteristics:

- Meets full Australian Standard AS 4876.1-2002. Including 3.2 Road User Protection
- Weight savings provide improved fuel economy and reduced tyre, suspension and brake wear when compared to other alternatives
- Fitted Weight of **35.5kg for Non Winch**
- Fitted Weight of **40kg for Winch**
- Bar adds 180mm to vehicle length
- Air Bag Compatible
- Bumper trim, easily fitted
- Superior frontal protection, due to the impact absorbing hollow construction
- Does not accept original vehicle fog lights
- Supplied with Durable LED Parker/Indicator Lights
- Supplied with 2 x Antenna Mounts
- Antenna mount location on loops of the bar, up to 4 available
- UV stabilised polymer for durability and corrosion resistance
- Styled to maintain the Vehicle's aesthetic
- Proudly designed and manufactured in Australia
- Minimal maintenance and repair costs after impact
- Manufactured from environmentally friendly, recyclable polyethylene polymer
- Available in Black as standard, other colours available for large order quantities
- Accommodates a large range of spotlights
- Accommodates up to 9,500lb winch (refer to winch page for winch compatibility)
- Compatible with ARB Recovery Points
- SmartBar is tested to ensure a HIC (Head Injury Criteria) figure below the Australian Standard rating of 1500, as to provide pedestrians with a higher probability of surviving a low speed impact

## Adaptive Cruise Control with Forward Collision Alert:

The Ford Everest features Adaptive Cruise Control with Forward Collision Alert as standard on the Trend and Titanium models.

The technology includes a front facing scanning radar and gives a range of extra features to the vehicle such as a Pre-Collision Assist - AEB with Pedestrian Detection.

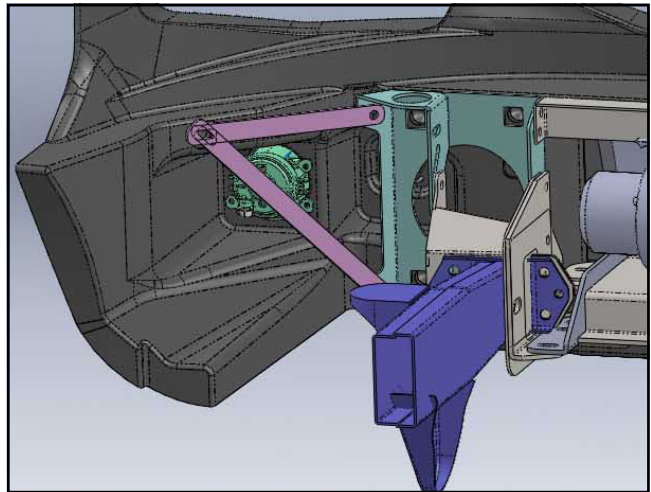
SmartBar's Design and Engineering team have developed the bar to accommodate this factory fitted optional accessory.

Ford have the following disclaimer (via [www.ford.com.au](http://www.ford.com.au)) regarding the Adaptive Cruise Control and Forward Collision Warning "driver-assistance features are supplemental and do not replace the driver's judgement. Function may not operate in some driving and road conditions or adverse weather".

## Chassis Mounts:

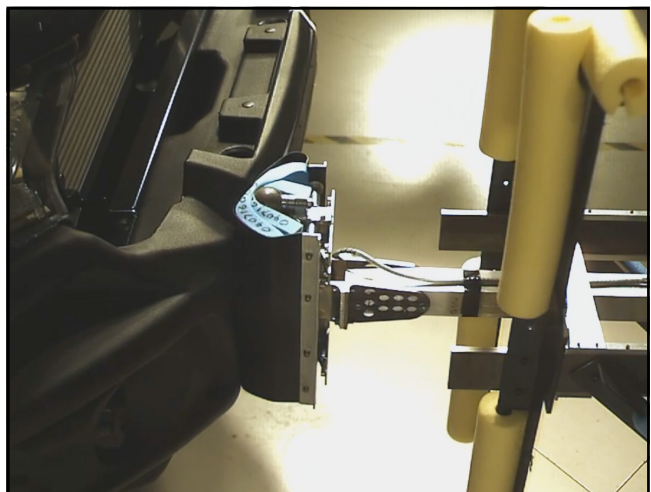
The chassis mount design for the Everest SmartBar comprises of a two part construction which allows for three axis adjustability, to achieve a solid and perfect fit every time.

All brackets have been tested and comply with Vehicle Air Bag, Winch Maximum Pull Exertion and Australian Safety Standards.



## Pedestrian Safety:

SmartBar's have been tested and proven to be less likely to cause serious injury to pedestrians than other alternatives. This is due to the hollow construction which allows the bar to absorb most of the impact along with the unique and specifically designed co-polymer material.



## Bumper Trim:

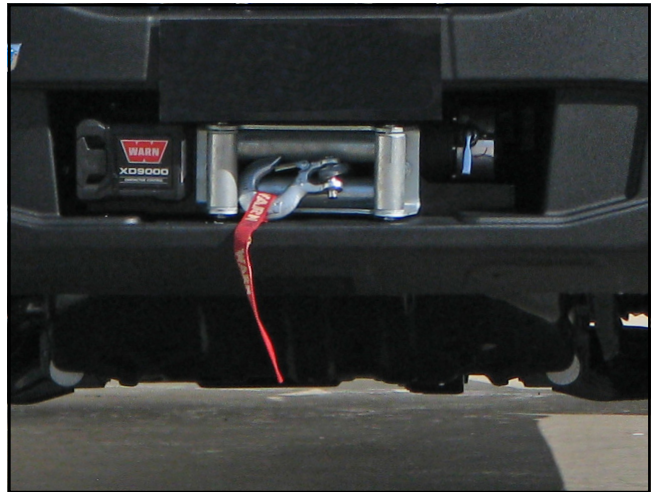
The bar is easily fitted as a partial bumper replacement and as such, requires a bumper trim during installation. Instructions are supplied with the bar to assist with fitment.



## Winch Mount:

The SmartBar winch bracket kit is winch compatible for winches up to 9,500lb. See overleaf for full winch details.

Please note that with some winches the control box can be mounted next to the fairlead.



## Antenna Mounts:

There are antenna mount locations in the top loops of the bar. The SmartBar is supplied with an inner and outer antenna mount bracket. Additional antenna mount brackets can be purchased:

Inner bracket (Vertical Mount): TP44805  
Outer bracket (Horizontal Mount): TP50349



## Driving Light Mounts:

The SmartBar is supplied with an accessory bracket to mount driving lights, light bars and other accessories.

To see further details on light fitment see overleaf.



## Plug and Play Harness:

An optional plug and play wiring harness is available for purchase, making the parker/indicator lights installation much simpler and saving on the overall time required to fit the bar to the vehicle.

Part Number: BP80296



## LED Parker/Indicators

The SmartBar is supplied with high quality LED parker/indicator lights as shown here in orange.

Please note the bar is not compatible with the OEM Fog Lights.



## Optional Fog/DRL:

The original Everest fog lights are not compatible with the SmartBar. SmartBar recommends installing an optional 90mm fog/day time running light combo light (supplied with full wiring harness).

A maximum of 2 x DRL's are permitted to ADR requirements.

Part Number: BP80311

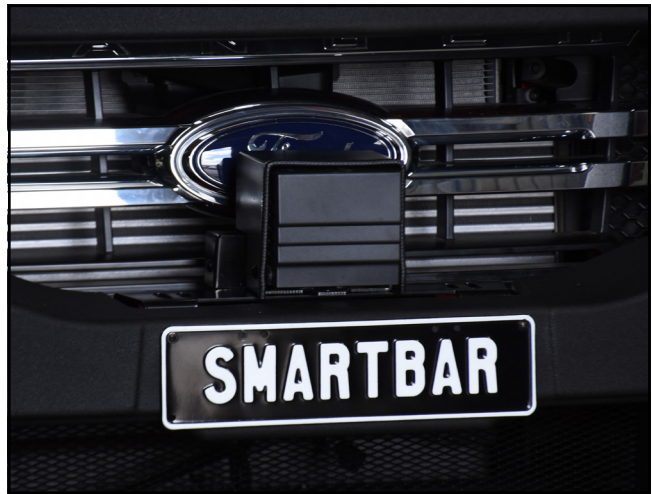


## Adaptive Cruise:

The SmartBar in both non-winch and winch version is compatible with the Ford Everest OE Adaptive Cruise module.

Please note that for **winch version only**, an additional kit is required to relocate the module to the accessory bracket. Doing so will restrict which lights can be mounted. Light bars will not fit on accessory bracket at all in this instance.

Part Number: SA230WAK



## Parking Sensors:

For vehicle models with front parking sensors, the parking sensor kit is required to be purchased.

Vehicles come with either 4 or 6 front parking sensors. Vehicles with 6 sensors have Active Park Assist technology.

Part Number: SA232PSK



## Winch Model Fitment:

The winch compatible Ford Everest SmartBar fits the following winches:

- Warn M8000, XD9000\*, XP9.5 and XDC 9.5.
- Warn Magnum 8, 10
- Bushranger DV-9TH, DS9.5TH and Seal 9.5TH\*
- Bushranger REVO 10\*

The SmartBar is supplied with an accessory bracket that mounts to the bar in front of the grille. With some winches the winch control box can be mounted on the accessory bracket between the spotlights\*\*.

Additional fit kits are required depending on the winch being fitted:

- A flip up number plate bracket is recommended for standard size number plates when SmartBars are fitted with a winch, ARB Part number 3500630.

\*Warn XD9000 & Bushranger control box will mount on winch frame next to the fairlead.

\*\*Fitment of the control box to the accessory bracket will restrict the size of the lights that can be mounted. Light bars will not fit on accessory bracket at all in this instance.



## Light Model Fitment:

The SmartBar models accommodates the following Lights:

ARB Intensity:

- ARB Intensity 21
- ARB Intensity Light Bar AR40 (requires pedestal mount)

Bushranger Night Hawk lights:

- NHP180 (S&D) (180mm Round LED light)
- NHS055-NHS245 (5.5 inch to 24.5 inch light bars)

**Note:** Fitment of a winch control box to the accessory bracket will restrict the size of the lights that can be mounted. Light bars will not fit on accessory bracket at all in this instance.





# PART NUMBER MATRIX



## SMARTBAR FORD EVEREST 2019+

Fitting Time	3 Hours	4 Hours	45 Mins	30 Mins	30 Mins	15 Mins	
	Non Winch	Winch	Parking Sensor Kit	Adaptive Cruise Kit	Optional Fog/DRL Combo Light <sup>2</sup>	Optional Patch Wiring Harness <sup>3</sup>	Optional Flip Up Number Plate Kit <sup>4</sup>
Ford Everest Non Winch	Model (Guide Only)						
No Front Parking Sensors & No Adaptive Cruise	SA175BL175				BP80311	BP80296	
With Front Parking Sensors & Adaptive Cruise	SA175BL175		SA232PSK		BP80311	BP80296	
With Active Parking Assist <sup>1</sup> & Adaptive Cruise	SA175BL175		SA232PSK		BP80311	BP80296	
Fitting Times							
Ford Everest Winch	Model (Guide Only)						
No Front Parking Sensors & No Adaptive Cruise		SA175BL176			BP80311	BP80296	3500630
With Front Parking Sensors & Adaptive Cruise		SA175BL176	SA232PSK	SA230WAK	BP80311	BP80296	3500630
With Active Parking Assist <sup>1</sup> & Adaptive Cruise		SA175BL176	SA232PSK	SA230WAK	BP80311	BP80296	3500630

Please note:

- <sup>1</sup>The Active Park Assist vehicles have 6 parking sensors on the front of the vehicle.
- <sup>2</sup>The Everest OE fog lights are not compatible with the SmartBar. Optional aftermarket Fog/DRL light kit available.
- <sup>3</sup>Only suitable for wiring standard parker/indicator lights supplied with bar. Will speed up and simplify the light installation, saving on the overall time required to fit the bar to the vehicle.
- <sup>4</sup>Flip Up Number Plate Kit (ARB part number 3500630) is recommended for winch bars with standard size number plates.