

# PRODUCT SPECIFICATIONS



**Date:**

November, 2018

**Description:**

Pajero Sport SmartBar

**Application:**

Mitsubishi Pajero Sport 2016+\*

**Fitting:**

Minimum 4 Hours (Non Winch)

Minimum 4.5 Hours (Winch)

**Available:**

Now



## Product Specification

Combining style, luxury, cutting-edge technology and genuine 4WD performance, the Mitsubishi Pajero Sport fuses elegance, space and safety for urban driving with agility for off-road excitement; and no matter where you are, the team at SmartBar is here to ensure that you, your passengers and your vehicle stay protected.

Specifically designed for the 2016+ Mitsubishi Pajero Sport as a partial bumper replacement, SmartBar's Vehicle Frontal Protection System (VFPS) perfectly complements the design and shape of the vehicle, maintains most of the factory accessories and all the while provides unparalleled safety.

Designed to suit the GLX and GLS the SmartBar is engineered to be the lightest and safest bumper replacement VFPS available; offering even more protection and safety for Triton owners and pedestrians.

\*NOTE: Does not suit vehicles with frontal collision mitigation, adaptive cruise control or parking sensors.

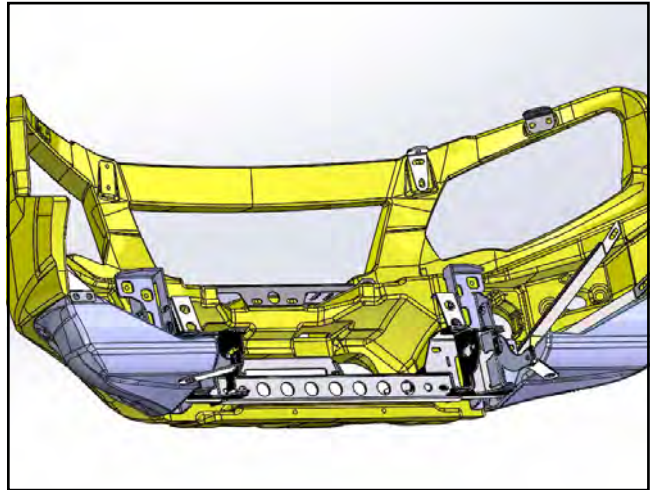
## Protection & Styling Characteristics:

- Meets full Australian Standard AS 4876.1-2002. Including 3.2 Road User Protection
- Weight savings provide improved fuel economy and reduced tyre, suspension and brake wear when compared to other alternatives
- Fitted Weight of **33kg for Non Winch**
- Fitted Weight of **42kg for Winch**
- Bar adds an approximate additional 215mm to vehicle length
- Approach angle is 30° with bar fitted
- Air Bag Compatible
- Optional 100mm Driving Light Kit available
- Features durable under body guards, in black
- Bumper trim, easily fitted
- Superior frontal protection, due to the impact absorbing hollow construction
- Accepts the original vehicle fog lights
- Supplied with Durable LED Parker/Indicator Lights
- Supplied with Durable Day Time Running Lights
- Supplied with 1 x Antenna Mount
- Antenna mount location on loops of the bar, up to 4 available
- UV stabilised polymer for durability and corrosion resistance
- Styled to maintain the Vehicle's aesthetic
- Proudly designed and manufactured in Australia
- Minimal maintenance
- Minimal repair costs after impact
- Manufactured from environmentally friendly, recyclable polyethylene polymer
- Available in Black as standard, other colours available for large order quantities
- Accommodates a large range of spotlights
- Accommodates up to 10,000lb Winch
- SmartBar is tested to ensure a HIC (Head Injury Criteria) figure below the Australian Standard rating of 1500, as to provide pedestrians with a higher probability of surviving a low speed impact

## Chassis Mounts:

The chassis mount design for the Pajero Sport SmartBar comprises of a two part construction which allows for three axis adjustability, to achieve a solid and perfect fit every time.

All brackets have been tested and comply with Vehicle Air Bag, Winch Maximum Pull Exertion and Australian Safety Standards.



## Pedestrian Safety:

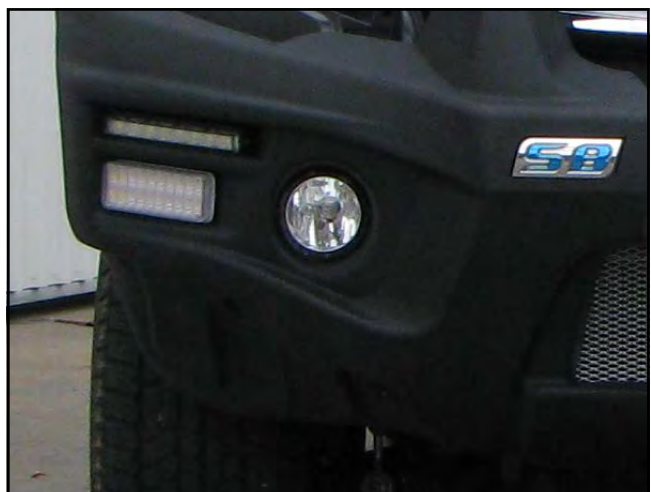
SmartBar's have been tested and proven to be less likely to cause serious injury to pedestrians than other alternatives. This is due to the hollow construction which allows the bar to absorb most of the impact along with the unique and specifically designed co-polymer material.



## Fog Lights:

The original Pajero Sport fog lights are compatible with the SmartBar.

Please note that the Fog Lights shown are not included with the SmartBar.



## Day Time Running Lights:

The SmartBar design incorporates high quality Hella Day Time Running Lights (DRL) to provide additional safety when driving during daylight hours. The DRL is designed to turn on with the vehicle ignition and off when the vehicle parker lights are turned on.

DRL's are supplied as standard for the Pajero Sport SmartBar. Please note that a maximum of 2 DRLs are permitted as per ADR requirement.



## Antenna Mounts:

There are antenna mounts incorporated on the top loops of the bull bar. The SmartBar is supplied with a single antenna mount. Additional antenna mounts can be purchased:

Vertical Mount: TP44928

Horizontal Mount: TP50585



## Driving Light Mounts:

The SmartBar is supplied with an accessory bracket to mount driving lights, light bars and other accessories.

The mount includes pinning holes for the Intensity lights.

To see further details on light fitment see overleaf.





## Winch Mount:

The SmartBar winch bracket kit is winch compatible for winches up to 10,000lb. See page 6 for full winch details.



## Under Body Guards:

Durable under body guards attach to the bar and provide extra protection for the vehicle components and bar brackets.



## Winch Model Fitment:

The SmartBar for winch compatible bracket kit accommodates the following winches:

- Warn M8000, XD9000, XP9.5 and XDC 9.5.
- Warn ZEON 8, 8-S, 10, 10-S.
- Warn ZEON Platinum 10, 10-S.
- Warn Magnum 8, 10
- Bushranger DV-9TH, DS9.5TH and Seal 9.5TH

The SmartBar is supplied with an accessory bracket that mounts to the bar in front of the grille. The winch control box may be mounted on the accessory bracket between the spotlights.

Additional fit kits are required depending on the winch being fitted:

- A flip up number plate bracket is recommended for standard size number plates when SmartBars are fitted with a winch, ARB Part number 3500630.
- Warn ZEON Platinum fitment may require part No. W94288 Enhanced Signal Kit.



## Light Model Fitment:

The SmartBar accommodates the following Lights:

### ARB Intensity:

- ARB Intensity 21
- ARB Intensity Light Bar AR40 (requires pedestal mount)

### Bushranger Night Hawk lights:

- NHP180 (S&D) (180mm Round LED light)
- NHS055-NHS245 (5.5 inch to 24.5 inch light bars)

### IPF Lights:

- 801/901 Xtreme Sport Series
- 800/900 HID Series
- 800/900 Series
- 900 Xtreme LED Sport Series
- 868/968 Series
- 930 Super Rally

NOTE: If a control box is fitted, this may restrict the lights that will fit in the SmartBar.





# PART NUMBER MATRIX

## SMARTBAR MITSUBISHI PAJERO SPORT

		SmartBar Non Winch	SmartBar Winch	100mm Driving Light Kit <sup>3,4</sup>	100mm Fog Light Kit <sup>3,4</sup>
<b>Fitting Time</b>		<b>4 Hours</b>	<b>4.5 Hours</b>	<b>15 Mins</b>	
<b>Vehicle</b>	<b>Model (Guide Only)</b>				
Mitsubishi Pajero Sport <sup>5</sup>	GLX, GLS <sup>1,2</sup>	SA177BL181	SA177BL182	TP4878	TP23923

Please note:

- <sup>1</sup> Not compatible with Exceed model variants
- <sup>2</sup> Compatible with OEM Fog Lights
- <sup>3</sup> Supplied with brackets, no loom
- <sup>4</sup> Bar can only accommodate one option
- <sup>5</sup> Not compatible with vehicles that have front collision mitigation, adaptive cruise control, or parking sensors