

# PRODUCT SPECIFICATIONS

**Publication Date:**

August, 2018

**Description:**

Nissan Navara D40 SmartBar  
Nissan Pathfinder R51 SmartBar

**Application:**

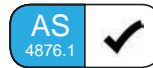
Nissan Navara D40 Spain Build  
(refer matrix for date range) and  
Pathfinder R51 (02/10-09/13)  
Models

**Fitting:**

Refer Matrix for Accessory Fitup

**Available:**

Now



## Product Specification

Specifically designed for the Nissan Navara D40 and Pathfinder R51 as a partial bumper replacement, SmartBar's Vehicle Frontal Protection System (VFPS) perfectly complements the design and shape of the vehicle, maintains all of the factory accessories and all the while provides unparalleled safety.

Designed to suit the ST, ST-X Navara and ST, ST-L and Ti Pathfinder variants, the SmartBar is engineered to be the lightest and safest VFPS available; offering even more protection and safety for vehicle owners and importantly, pedestrians.

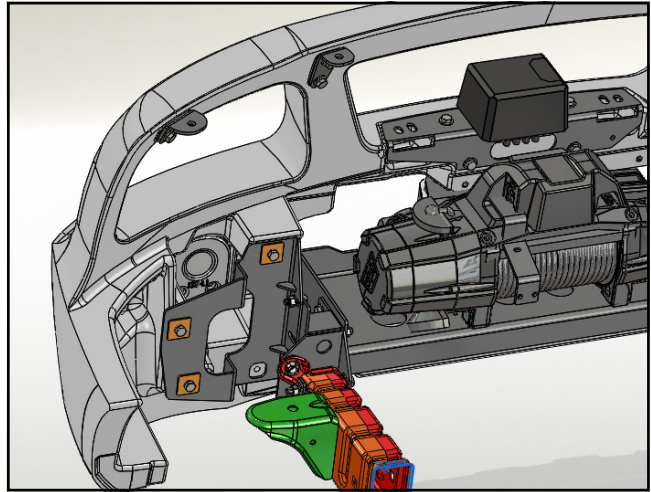
## Protection & Styling Characteristics:

- Meets full Australian Standard AS 4876.1-2002. Including 3.2 Road User Protection
- Weight savings provide improved fuel economy and reduced tyre, suspension and brake wear when compared to other alternatives
- Fitted Weight of **24.5kg for Non Winch**
- Fitted Weight of **38.5kg for Winch**
- Bar adds an approximate additional 120mm to vehicle length
- Air Bag Compatible
- Bumper trim, easily fitted
- Superior frontal protection, due to the impact absorbing hollow construction
- Accepts the original vehicle fog lights
- Supplied with Durable LED Parker/Indicator Lights
- Supplied with 2 x Antenna Mounts
- Antenna mount location on loops of the bar, up to 4 available
- UV stabilised polymer for durability and corrosion resistance
- Styled to maintain the Vehicle's aesthetic
- Proudly designed and manufactured in Australia
- Minimal maintenance
- Minimal repair costs after impact
- Manufactured from environmentally friendly, recyclable polyethylene polymer
- Available in Black as standard, other colours available for large order quantities
- Accommodates a large range of spotlights
- Accommodates up to 9,000lb Winch (please refer to page 6 for winch compatibility)
- SmartBar is tested to ensure a HIC (Head Injury Criteria) figure below the Australian Standard rating of 1500, as to provide pedestrians with a higher probability of surviving a low speed impact

## Chassis Mounts:

The chassis mount design comprises of a two part construction which allows for three axis adjustability, to achieve a solid and perfect fit every time.

All brackets have been tested and comply with Vehicle Air Bag, Winch Maximum Pull Exertion and Australian Safety Standards.



## Pedestrian Safety:

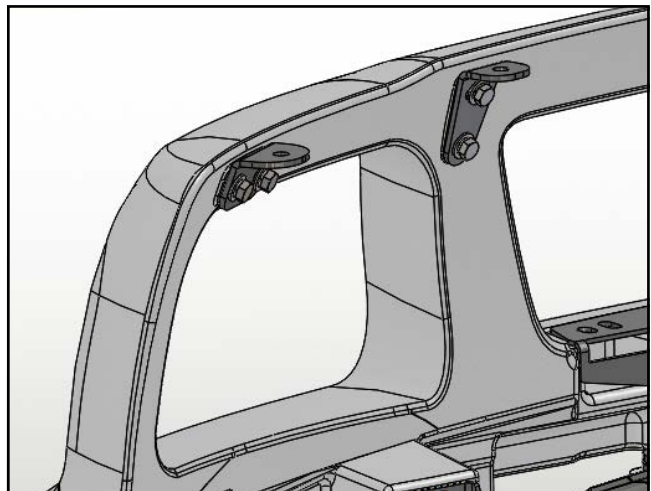
SmartBar's have been tested and proven to be less likely to cause serious injury to pedestrians than other alternatives. This is due to the hollow construction which allows the bar to absorb most of the impact along with the unique and specifically designed co-polymer material.



## Antenna Mount:

There are antenna mounts incorporated on the top loops of the bull bar. The SmartBar is supplied with two antenna mounts (part numbers prescribed below). Additional antenna mounts can be also be purchased:

- 000-AMB15 (horizontal mount)
- 000-AMB16 (vertical mount)



## Driving Light Mounts:

The SmartBar is supplied with an accessory bracket to mount driving lights, light bars and other accessories.

To see further details on light fitment see overleaf.



## Bumper Trim:

The bar is easily fitted as a partial bumper replacement and as such, requires a bumper trim during installation. Instructions and Trim Templates are supplied with the Bar to assist with fitment.



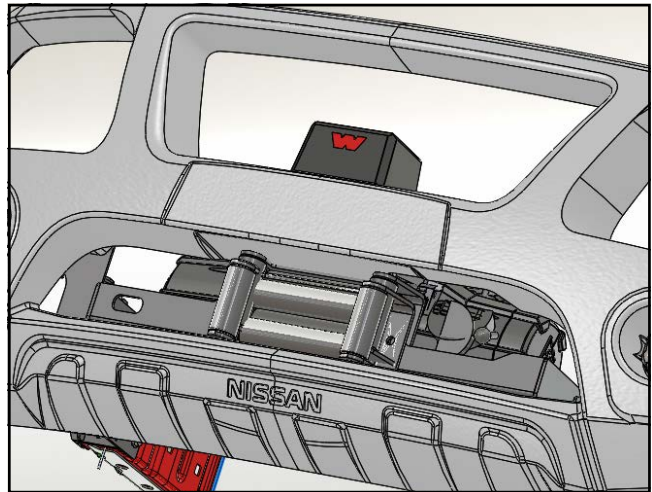
## Fog Lights & Indicator/Parker:

The original vehicle fog lights are compatible with the SmartBar, however the bar is supplied with 2 x quality LED Indicator/Parker lights.



## Winch Mount:

The SmartBar winch bracket kit is winch compatible for winches up to 9,000lb. See overleaf for full winch details.





## Winch Model Fitment:

The SmartBar for the Isuzu D-Max/MU-X winch compatible bracket kit accommodates the following winches:

- Warn XD9000

The SmartBar is supplied with an accessory bracket that mounts to the bar in front of the grille. With some winches the winch control box can be mounted on the accessory bracket between the spotlights\*.

Additional fit kits are required depending on the winch being fitted:

- A flip up number plate bracket is recommended for standard size number plates when SmartBars are fitted with a winch, ARB Part number 3500630.

\*Fitment of the control box to the accessory bracket will restrict the size of the lights that can be mounted. Light bars will not fit on accessory bracket at all in this instance.



## Light Model Fitment:

The SmartBar for the Isuzu D-Max/MU-X models accommodates the following Lights:

ARB Intensity:

- ARB Intensity 21

Bushranger Night Hawk lights:

- NHP180 (S&D) (180mm Round LED light)
- NHS205 (20.5 inch light bars)

IPF Lights:

- 801/901 Xtreme Sport Series
- 800/900 HID Series
- 800/900 Series
- 900 Xtreme LED Sport Series
- 868/968 Series
- 930 Super Rally

NOTE: If a control box is fitted to the Driving Light Mount Bracket, the lights available to be fitted in the SmartBar will be heavily restricted; and it prevents completely the use of any Light Bar.



# PART NUMBER MATRIX



## SMARTBAR NISSAN NAVARA D40 (REFER BELOW FOR DATE RANGE) NISSAN PATHFINDER R51 (02/10-09/13)

Fitting Time	SmartBar Non Winch	SmartBar Winch
	4 Hours	5 Hours
Vehicle	Model (Guide Only)	Model (Guide Only)
Nissan Navara D40 (Spanish Build: VIN starting with VSK) <sup>1</sup>	ST-X 4 Cylinder (02/10-10/11) ST-X V6 Petrol (02/10-06/11) ST 4 Cylinder (11/2011+)	SA135BL135 SA135BL134
Vehicle	Model (Guide Only)	Model (Guide Only)
Nissan Pathfinder R51 <sup>1</sup>	ST, ST-L, Ti	SA135BL135 SA135BL134

Please note:

<sup>1</sup> The SmartBar does not suit vehicles with V6 Turbo Diesel Engine