

PRODUCT SPECIFICATIONS

**Publication Date:**

June, 2021

Description:

Isuzu D-MAX MY21 SpartanBar

Application:

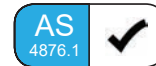
Isuzu D-MAX 10/20+
SX, LS-U, LS-M, X-Terrain

Fitting:

Minimum 4 Hours (Non Winch)
Minimum 5 Hours (Winch)
Refer to matrix for fitment time

Available:

Now



Product Specification

***IMPORTANT NOTICE:** This SpartanBar is not suitable for the facelift 2024 model D-MAX. We are working on the update model and will update this page when the fitment is available.*

Specifically designed for the Isuzu D-MAX MY21, the latest model of ARB SmartBar's Vehicle Frontal Protection System (VFPS) complements the design and shape of the vehicle, whilst maintaining the contour lines and aesthetics. The SpartanBar functions with the Isuzu IDAS (Intelligent Driver Assist Systems) technology and maintains all of the factory accessories, whilst providing unparalleled safety.

The 2021 Isuzu D-MAX has undergone an all new exterior and chassis remodel and the team at ARB SmartBar has developed a new frontal protection system styled to accommodate both.

Designed to suit the SX, LS-U, LS-M & X-Terrain, the SpartanBar is engineered to be the lightest and safest VFPS available; offering even more protection and safety for D-MAX owners and now importantly, pedestrians.

ARB SmartBar, a lighter, safer, and greener alternative to impact resistant bull and nudge bars.

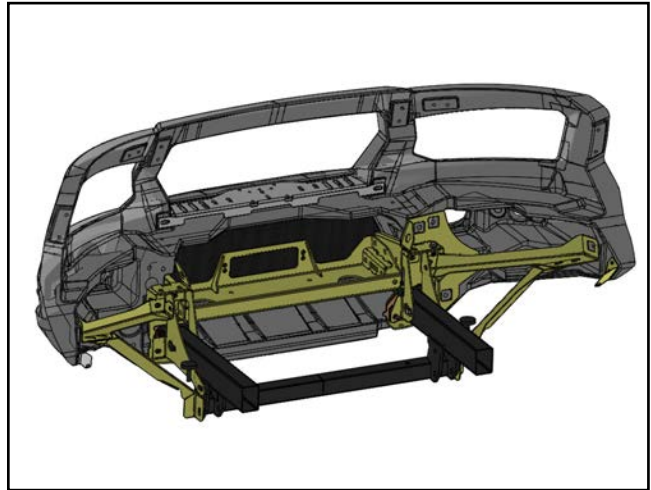
Protection & Styling Characteristics:

- Meets full Australian Standard AS 4876.1-2002. Including 3.2 Road User Protection
- Weight savings provide improved fuel economy and reduced tyre, suspension and brake wear when compared to other alternatives
- Fitted Weight of **35kg for Non Winch**
- Fitted Weight of **42kg for Winch**
- The SpartanBar adds 235mm to vehicle length
- Compatible with Isuzu front parking sensors. Parking Sensor Bar required.
- Compatible with all Isuzu IDAS systems (Intelligent Driver Assistance Systems)
- Air Bag Compatible
- Bumper trim, easily fitted
- Superior frontal protection, due to the impact absorbing hollow construction
- High Lift Jack point available as an option
- Accepts the original vehicle fog lights
- Durable LED Parker/Indicator Lights
- Supplied with 1 x Antenna Mount
- Antenna mount location on loops of the bar, up to 4 available
- UV stabilised polymer for durability and corrosion resistance
- Styled to maintain the Vehicle's aesthetics
- Proudly designed and manufactured in Australia
- Minimal maintenance
- Minimal repair costs after impact
- Manufactured from environmentally friendly, recyclable polyethylene polymer
- Available in Black as standard, other colours available for large order quantities
- Accommodates a large range of spotlights
- Accommodates up to 10,000lb Winch (please refer to page 8 for winch compatibility)
- Compatible with ARB Recovery Points (Both Left and Right Hand)
- The SpartanBar is tested to ensure Pedestrian Safety ratings (Head Injury Criteria) are below the Australian Standard rating of 1500, as to provide pedestrians with a higher probability of surviving a low speed impact.
- Freight Information:
 - SA263ASSY & SA265ASSY 1980mm x 740mm x 750mm - 29kg
 - SA263BK 900mm x 400mm x 300mm - 25kg
 - SA264BK 900mm x 400mm x 300mm - 32kg

Chassis Mounts:

The chassis mount design comprises of single bracket construction which allows for three axis of adjustability, to achieve a solid and perfect fit every time.

All brackets have been tested and comply with Vehicle Air Bag, Winch Maximum Pull Exertion and Australian Safety Standards.



Pedestrian Safety:

SmartBar's have been tested and proven to be less likely to cause serious injury to pedestrians than other alternatives. This is due to the hollow construction which allows the bar to absorb most of the impact along with the unique and specifically designed co-polymer material.



Isuzu Safety Systems:

The SpartanBar is compatible with the Isuzu Intelligent Driver Assistant Systems (IDAS) as well as other passive and active safety systems including but not limited to:

- AEB (Autonomous Emergency Braking)
- Forward Collision Warning
- Adaptive Cruise Control
- Lane Driving Features (Lane Assist/Keeping)



Driving Light Mounts:

The SpartanBar is supplied with an accessory bracket to mount driving lights, light bars and other accessories.

To see further details on light fitment see page 9.



Antenna Mounts:

Antenna mounts are located on the top hoops of the bull bar. The SpartanBar is supplied with a single antenna mount.

Part Number: SAAMB25 (Inner Mount)



High Lift Jack Point:

The SpartanBar winch bracket kit fits the optional removable High Lift Jack Point on both the left and right hand sides.

Part Number: SAHLJ1



Indicator / Parker Lights:

The SpartanBar is supplied with LED Indicator / Parker Lights.

Part Number: 6821287



Fog Lights:

The original vehicle fog lights are compatible with the SpartanBar.



Aftermarket Fog Lights:

Aftermarket Fog Light kit is available for vehicles that are not fitted with factory fog lights.

Part Number: BP80557



Recovery Point:

The SpartanBar in both winch and non winch configurations, is compatible with the ARB recovery points to assist with vehicle recovery. Compatible with both left hand and right hand points.



Underwing Panels:

The under wings are designed to provide even more protection to the under body of the vehicle, outside of the chassis rails.

The under wing panels are compatible with ARB Recovery Points.



Parking Sensors:

Vehicles with parking sensors have the sensors relocated to the spartbar bar.

When parking sensors are to be fitted the bars & kits to be purchased are as specified:

Kit Number: SA265-PSK

SA265BL263 Non Winch

SA265BL264 Winch Compatible



Winch Mount:

The SpartanBar winch bracket kit is compatible with winches rated up to 10,000lb. See page 8 for full winch details.



Flip Up Number Plate:

A flip up number plate bracket is required for standard size number plates when SmartBars are fitted with a winch

Part Number: 3500630



Winch Model Fitment:

The SpartanBar winch compatible bracket kit accommodates the following winches:

- Warn M8000, XD9000, XP9.5 and XDC 9.5¹
- Warn ZEON 8, 8-S, 10, 10-S²
- Warn ZEON Platinum 10, 10-S²
- Bushranger Revo 10lb¹
- Warn VR EVO 8, 8-S, 10 & 10-S²

Additional fit kits are required depending on the winch being fitted:

- A flip up number plate bracket is required for standard size number plates when SmartBars are fitted with a winch

ARB Part number: 3500630

¹ Control box is recommended to be mounted to accessory bracket where possible.

² Control box relocation kit is required to mount control box to the accessory bracket.

Warn Zeon Relocation Kit
Part Number: W89965

Warn Evo Relocation Kit
Part Number: W106928



Light Model Fitment:

This model of SmartBar accommodates the following Lights:

ARB Intensity:

- AR21 ARB Intensity 21
- AR32 ARB Intensity 32
- AR40 ARB Intensity Light Bar
- SJB36 ARB Intensity Solis

Bushranger Night Hawk lights:

- NHX180VLI - Night Hawk 7" LED Driving Light
- NHX230VLI - Night Hawk 9" LED Driving Light
- NHS055-NHS245 5.5 inch to 24.5 inch light bars

IPF Lights:

- 800/900 Series

Note: If a control box is fitted to the accessory bracket it will prevent the use of any light bar and may restrict the range of lights that can be fitted to the SpartanBar.



PART NUMBER MATRIX



SPARTANBAR ISUZU D-MAX MY21

Fitting Times		4 Hours	Winch	Required Parking Sensor Kit ⁴	Optional Aftermarket LED Fog Light Kit ¹	Optional Inner Aerial Mount ²	Optional Flip Up Number Plate ³	Optional High Lift Jack Point
SmartBar Non Winch		Model (Guide Only)						
Standard (No Fog)	SX	SA263BL263	-	-	BP80557	SAAMB25	3500630	-
Standard	LS-U & LS-M	SA263BL263	-	-	-	SAAMB25	3500630	-
With Front Parking Sensors ⁵	X-TERRAIN	SA265BL263	-	SA265-PSK	-	SAAMB25	-	-
Fitting Times		5 Hours	30 Mins	5 Mins	15 Mins			
SmartBar Winch		Model (Guide Only)						
Standard (No Fog)	SX	-	SA263BL264	-	BP80557	SAAMB25	3500630	000-HLJ1
Standard	LS-U & LS-M	-	SA263BL264	-	-	SAAMB25	3500630	000-HLJ1
With Front Parking Sensors ⁵	X-TERRAIN	-	SA265BL264	SA265-PSK	-	SAAMB25	-	000-HLJ1

Please note:

¹ Optional for SX Vehicles. Not required for LS-U, LS-M and X-Terrain vehicles, OE Fog lights are refitted into the SpartanBar.

² Bar supplied with X1 SAAMB25, this is for the supply of an additional kit option.

³ Flip Up Number Plate Kit is required for Winch compatible SpartanBars fitted with a standard size number plate.

⁴ Models with parking sensors require the SA265-PSK Kit to fit the parking sensors to the SpartanBar.

⁵ This bar is required for future vehicle models with parking sensors. X-Terrain vehicles only, at time of SpartanBar release (April 2021).