

# PRODUCT SPECIFICATIONS

**Date:**

September 2023

**Description:**

LandCruiser 79 SpartanBar  
Single Cab

**Application:**

Toyota LandCruiser 79 Single Cab  
(09/2022-23)

**Fitting:**

Minimum 2.5 Hours (Non Winch)  
Minimum 3.5 Hours (Winch)

**Available:**

Now



## Product Specification

Toyota have released the a new version of the venerable 79 Series LandCruiser, which features Toyota Safety Sense. The team at SmartBar have been developing a new radar mount to suit the 79 Series single cab, which is now available.

Designed for the 79 Series LandCruiser as a full bumper replacement, SmartBar's Vehicle Frontal Protection System (VFPS) perfectly complements the design and shape of the vehicle, while providing unparalleled safety.

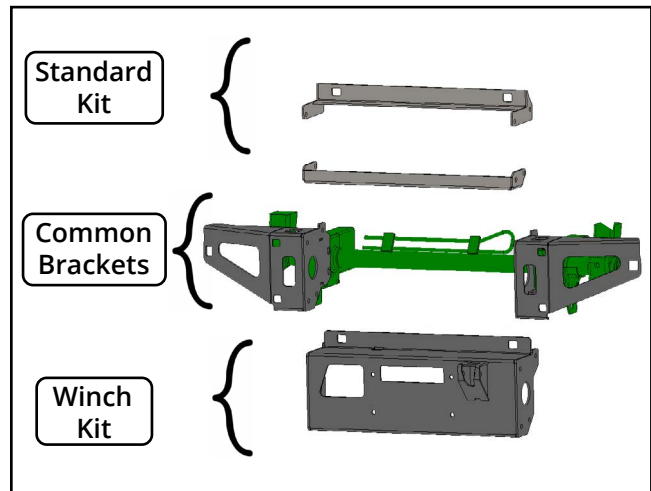
Suitable for the workmate, GX and GXL Single Cab, the SmartBar is engineered to be the lightest bull bar available; offering even more protection and safety for vehicle owners and importantly, pedestrians.

## Protection & Styling Characteristics:

- Meets full Australian Standard AS 4876.1-2002. Including section 3.2 Road User Protection
- Weight savings provide improved fuel economy and reduced tyre, suspension and brake wear when compared to other alternatives
- Fitted Weight of **11.5kg for Non Winch**
- Fitted Weight of **21.5kg for Winch**
- Bumper replacement, easily fitted
- Superior frontal protection, due to the impact absorbing hollow construction
- Air Bag Compatible
- Supplied with two aerial mounts
- Antenna mount location on loops of the bar, up to 4 available
- High Lift Jack point (Winch Only-Passenger side)
- Supplied with clear lens turn indicators
- UV stabilised polymer for durability and corrosion resistance
- Styled to maintain the Vehicle's aesthetics
- Proudly designed and manufactured in Australia
- Minimal maintenance
- Minimal repair costs after impact
- Manufactured from environmentally friendly, recyclable polyethylene polymer
- Available in Black, for large order quantities other colours are available
- Accommodates a large range of spotlights
- Winch bar Accommodates up to 10,000lb Winch (please refer overleaf for winch compatibility)
- SmartBar adds approximately 80mm to overall length of the vehicle
- Compatible with ARB Recovery Point
- Optional Accessories:
  - Radiator Protection Kit
  - Dune Flag Mount Bracket
  - LED Indicator Kit
- SmartBar is tested to ensure a HIC (Head Injury Criteria) figure is well below the Australian Standard rating of 1500, so pedestrians have a much higher probability of surviving an impact
- Compatible with the Toyota Safety Sense Systems

## Chassis Mounts:

The chassis mounts for the LandCruiser 79 series SmartBar are designed to be easily fitted to the vehicle, reducing fitting time. The bracket design allows a user to swap between a winch kit and standard kit just by replacing a single bracket.



## Pedestrian Safety:

SmartBar's have been tested and proven to be less likely to cause serious injury to pedestrians than other alternatives. This is due to the hollow construction which allows the bar to absorb most of the impact along with the unique and specifically designed polymer material.



## Driving Light Mounts:

The SmartBar is supplied with an accessory bracket to mount driving lights, light bars and other accessories.

See overleaf for further details on light fitment.



## Winch Mount with High Lift Jack:

The SmartBar winch bracket is compatible with winches up to 10,000lb, and incorporates a high lift jack point on the passenger side of the vehicle. See page 6 for full winch details.



## Antenna Mounts:

There are antenna mounts incorporated on the top loops of the bull bar. The SmartBar is supplied with a two antenna mounts (000-AMB6 and 000-AMB12).

Additional antenna mounts can be purchased:

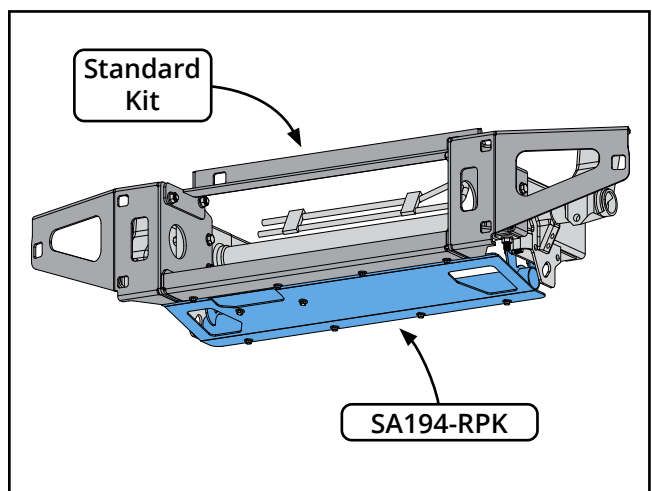
000-AMB6- **MM1241** (horizontal mount)  
 000-AMB12- **MM26504** (vertical mount)



## Radiator Protection Kit:

An additional radiator protection kit is available for the 79 series SmartBar. This kit easily attaches to both the winch kit and standard kit, and provides additional protection for the underside of the vehicle. The Radiator Protection Kit is available for separate purchase.

Part number: **SA194-RPK**  
 Fitment time: 30min  
 Weight. 7.5kg to Kit



## LED Indicators:

Increase the visibility and longevity of the indicators in the SmartBar by replacing the incandescent bulbs with the LED's.

The LED indicators are available for separate purchase.

Part Number: **TP48667**

Fitment time: 30min



## Flag Mount:

To mount Flags and large antenna on the 79 series SmartBar the additional kit 000-FMB1 kit is available for separate purchase.

Part Number: **SA000FMB1**

Fitment time: 15min



## Winch Model Fitment:

The winch bracket kit accommodates the following winches:

- Bushranger COVERT 10S, 10W, 12S, 12W
- Bushranger REVO 10S, 10W, 12S, 12W
- Warn XD9000 and XP9.5.
- Warn ZEON 8, 8-S, 10 and 10-S.
- Warn ZEON Platinum 10 and 10-S.
- Warn VR EVO 8, 8-S, 10 & 10-S2

The SmartBar is supplied with an accessory bracket that mounts to the bar in front of the grille. In some cases, the winch control box can be mounted on the accessory bracket or relocated to the engine bay.

Depending on the winch, the clutch handle will be accessible from either underneath the bar, or through the front of the winch bracket.

Additional fit kits are required depending on the winch being fitted:

- Warn Zeon and Zeon Platinum fitment requires the Warn Part number W89965 Short wiring kit. This kit allows relocation of the control box to the accessory bracket.
- Warn ZEON Platinum fitment may require part No. W94288 Enhanced Signal Kit.



## Light Model Fitment:

The SmartBar accommodates the following Lights:

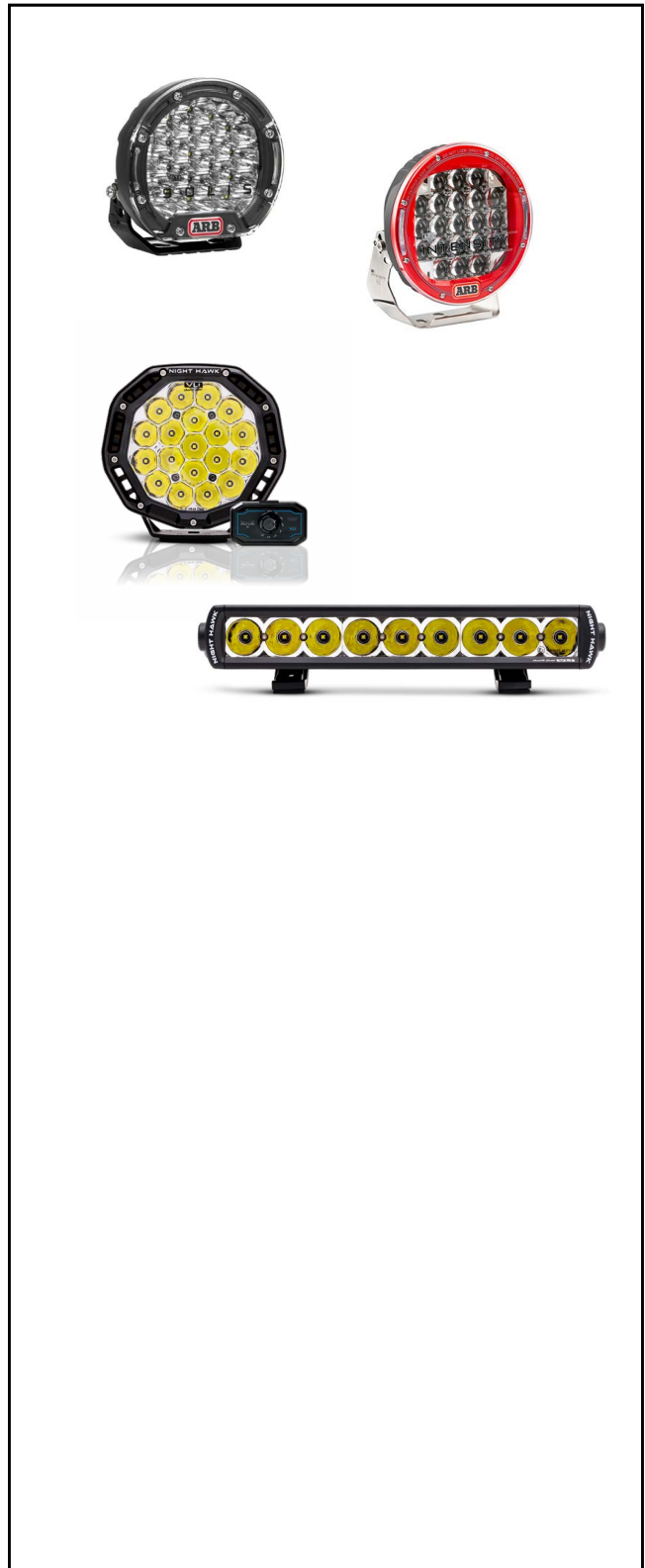
### ARB Intensity:

- ARB Intensity 21
- SJB21 ARB Intensity Solis

### Bushranger Night Hawk lights:

- NHX180VLI 7inch Night Hawk VLI
- NHX055VLI-NHX245VLI Night Hawk VLI Light Bars up to 17"

NOTE: If a control box is fitted to spotlight bracket this may restrict the lights that will fit in the SmartBar and Light Bars will not fit at all.



# PART NUMBER MATRIX



## SMARTBAR TOYOTA LANDCRUISER 79 SERIES SINGLE CAB

		SmartBar Non Winch	SmartBar Winch	Radiator Protection Kit	LED Indicator Kit (Optional)	Flag Mount (Optional)
Fitting Time		2.5 Hours	3.5 Hours	30 Mins	30 Mins	15 Mins
<b>SmartBar Non Winch</b>						
	Model (Guide Only)					
Standard	WorkMate	SA305BL309		SA194-RPK	TP48667	SA000FMB1
With flares	GX, GXL	SA306BL309		SA194-RPK	TP48667	SA000FMB1
<b>SmartBar Winch</b>						
	Model (Guide Only)					
Standard	WorkMate		SA305BL310	SA194-RPK	TP48667	SA000FMB1
With flares	GX, GXL		SA306BL310	SA194-RPK	TP48667	SA000FMB1

Please note:  
The SmartBar is only available in Black. Other colours are available for large quantity orders, contact SmartBar for more info.